

DOOCH PUMP



HORIZONTAL CENTRIFUGAL PUMP

50Hz
DHF/DHM SERIES

HIGH EFFICIENCY
HIGH PERFORMANCE
STAINLESS STEEL



Water supply system

Washing system

Industrial plants

Air conditioning system

Cooling system

Sprinkler

dooch
두크펌프

www.doochpump.com

CONTENTS

DHF(T) SERIES HORIZONTAL MULTISTAGE PUMP

DHF(T) SERIES INTRODUCTION	4
DHF(T) 1 SERIES	6
DHF(T) 2 SERIES	8
DHF(T) 3 SERIES	10
DHF(T) 4 SERIES	12
DHF(T) 5 SERIES	14
DHF(T) 10 SERIES	16
DHF(T) 15 SERIES	18
DHF(T) 20 SERIES	20

DHM SERIES HORIZONTAL SINGLESTAGE PUMP

DHM SERIES INTRODUCTION	22
DHM 4 SERIES	24
DHM 6 SERIES	26
DHM 10 SERIES	28
DHM 15 SERIES	30
DHM 20 SERIES	32

dooch
두크펌프



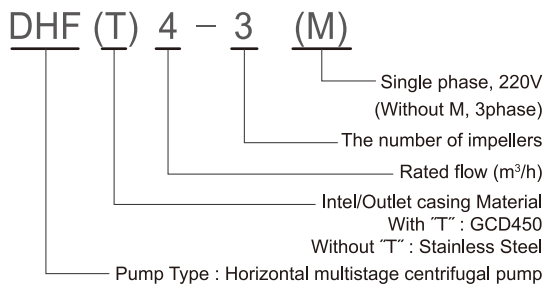
Feature

DHF(T) are non-self priming, horizontal and multistage pump. The DHF pump are designed for the needs of commercial and industrial application. The DHF pumps consist of mechanical seal, shaft and axial suction, radial discharge. A little corrosion resistance, material of wet parts is stainless steel.

Application

Pressure boosting system
Water treatment
Cooling system
Irrigation system
Sprinkler system
Industrial water supply system

Definition of Model



Pumped Liquid

Clean, thin, non-flammable and explosive, not containing the liquid with solid particle and fiber

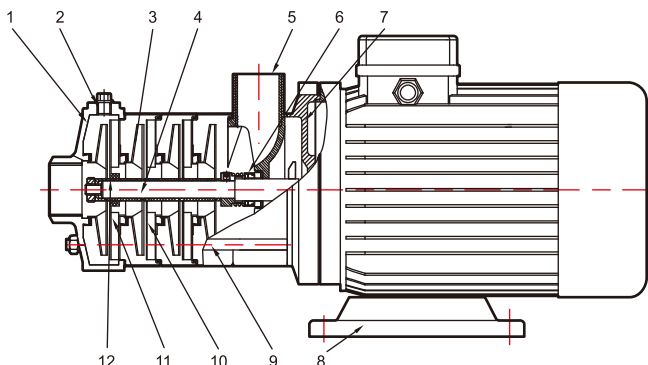
Installation Requirement

- The pump shall be fastened on a stable horizontal base
- The installation of the pump shall ensure that the pump will not be forced by the tension of the pipeline
- The pump shall be installed on the ventilating and anti-freezing location
- Electric wiring device shall guarantee that the pump will not damaged by lack of phase, unstable voltage, current leakage and overload

Motor specification

Motor type : TEFC
Protection class : IP54
Insulation class : F
Standard voltage : 3 phase 220V/380V, 50Hz
single phase 220V, 50Hz

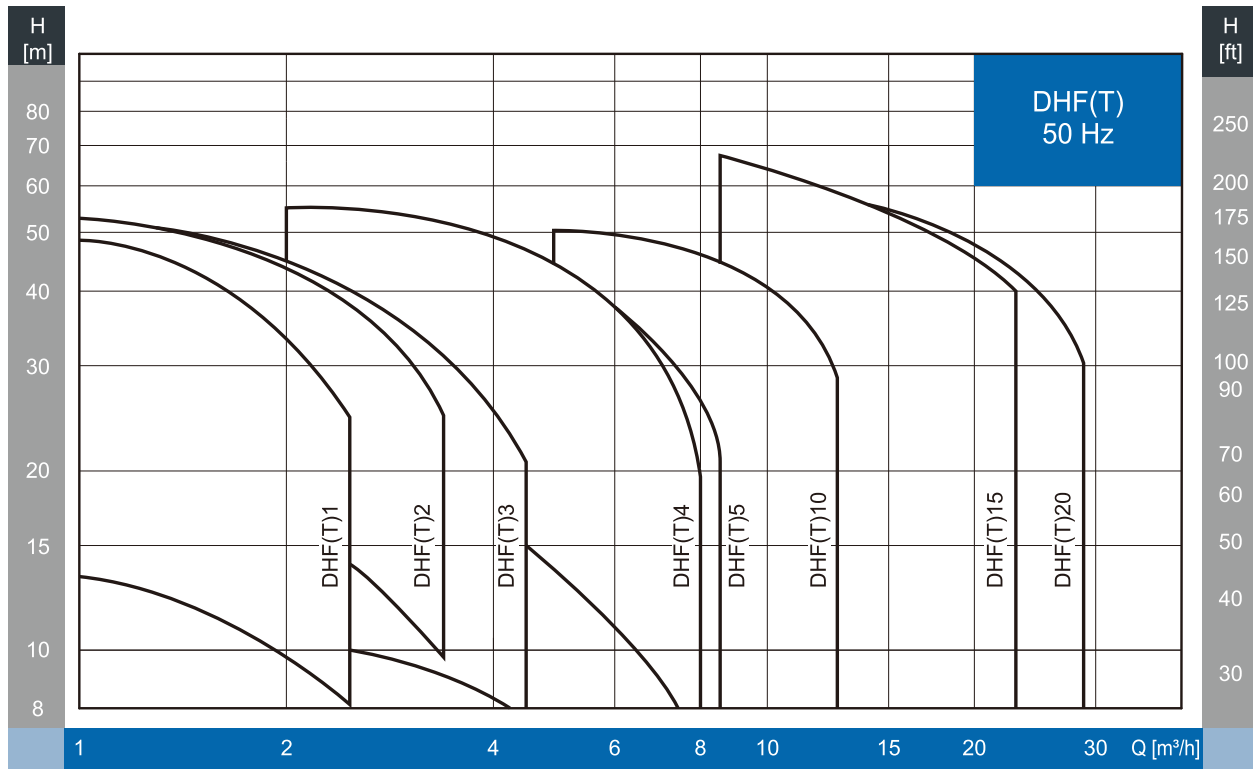
Sectional Drawing



Material

NO.	PART	MATERIAL	AISI/ASTM
1	Suction casing(DHF)	Stainless steel	CF 8 (AISI304)
	Suction casing(DHFT)	GCD450	A395
2	Air release valve	Stainless steel	AISI304
3	Impeller	Stainless steel	AISI304
4	Shaft	Stainless steel	AISI304
5	Discharge casing(DHF)	Stainless steel	CF 8 (AISI304)
	Discharge casing(DHFT)	GCD450	A395
6	Mechanical Seal		
7	Motor flange	Aluminum alloy	
8	Base	Steel	AISI1015
9	Bolt	Stainless steel	AISI304
10	Diffuser	Stainless steel	AISI304
11	Support Diffuser	Stainless steel	AISI304
12	Sleeve	Stainless steel	AISI304

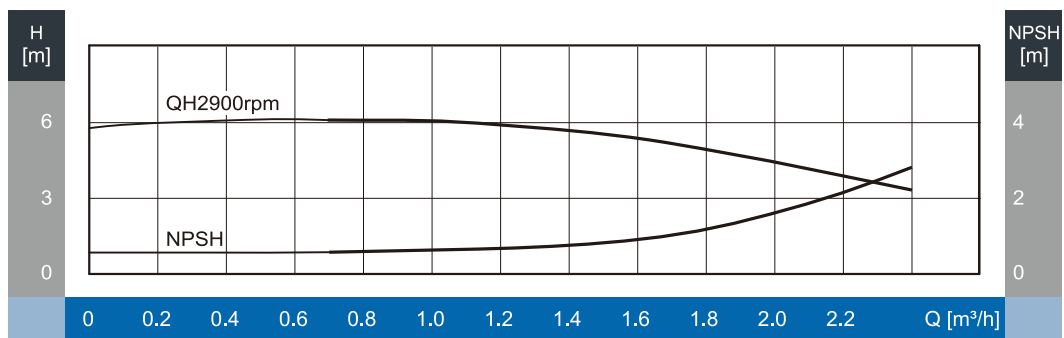
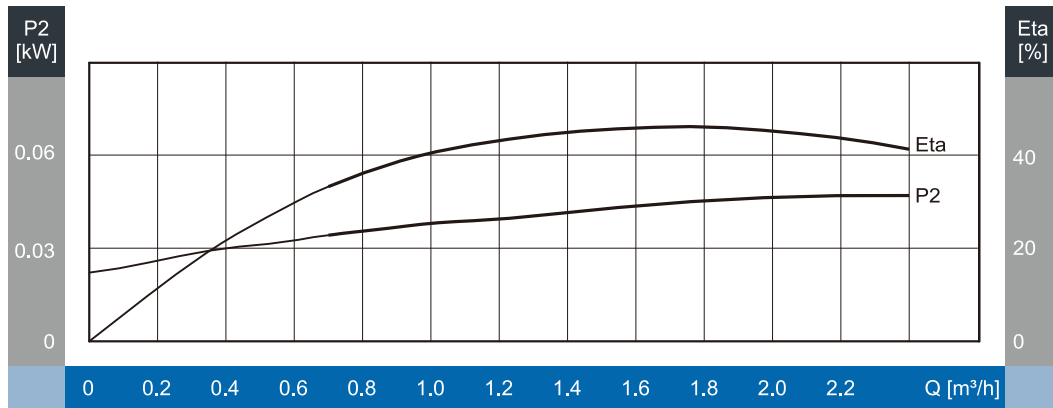
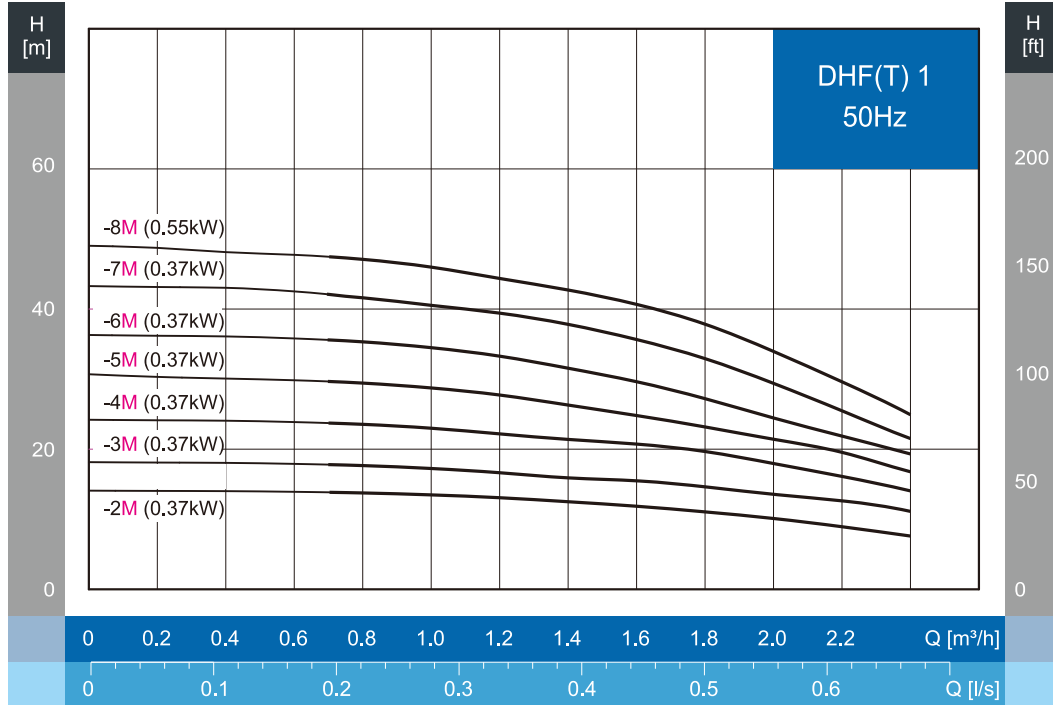
Performance Range (50Hz)



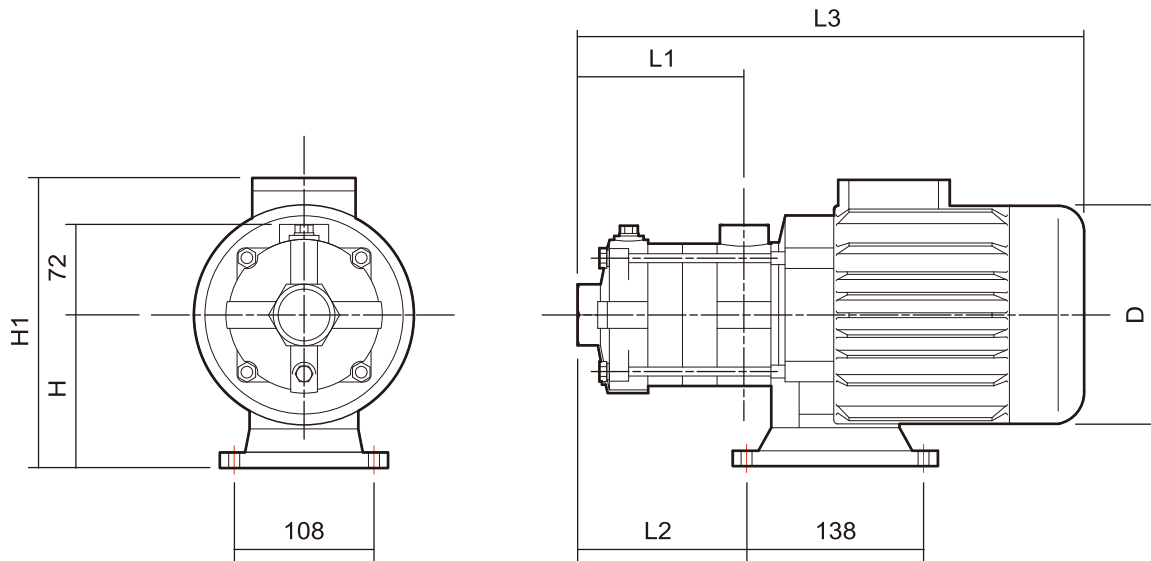
Specification

Description	DHF(T)1	DHF(T)2	DHF(T)3	DHF(T)4	DHF(T)5	DHF(T)10	DHF(T)15	DHF(T)20
Rated Flow [m³/h]	1	2	3	4	5	10	15	20
Flow Range [m³/h]	0.7-2.4	1-3.5	1.2-4.5	2-8	2.5-8.5	5-13	8.5-23.5	10.5-29
Max. operation Pressure [bar]	10	10	10	10	10	10	10	10
Motor Power [kW]	0.37-0.55	0.37-0.75	0.37-0.75	0.37-1.1	0.37-1.1	0.75-2.2	1.1-4	1.1-5.5
Liquid Temperature [°C]	-15 ~ 110°C							
Ambient Temperature [°C]	Max. 40°C							
Pump Type	Horizontal Multistage Pump							
Inlet size	25A	25A	25A	32A	32A	40A	50A	50A
Outlet size	25A	25A	25A	25A	25A	32A	50A	50A

Performance Curve



Installation Sketch

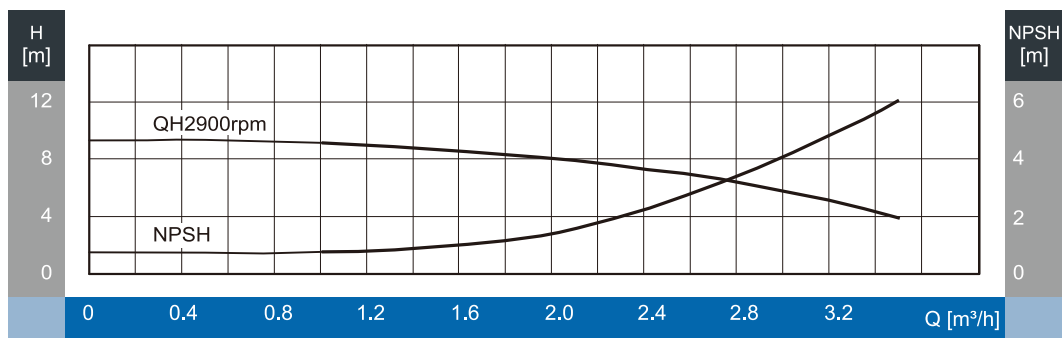
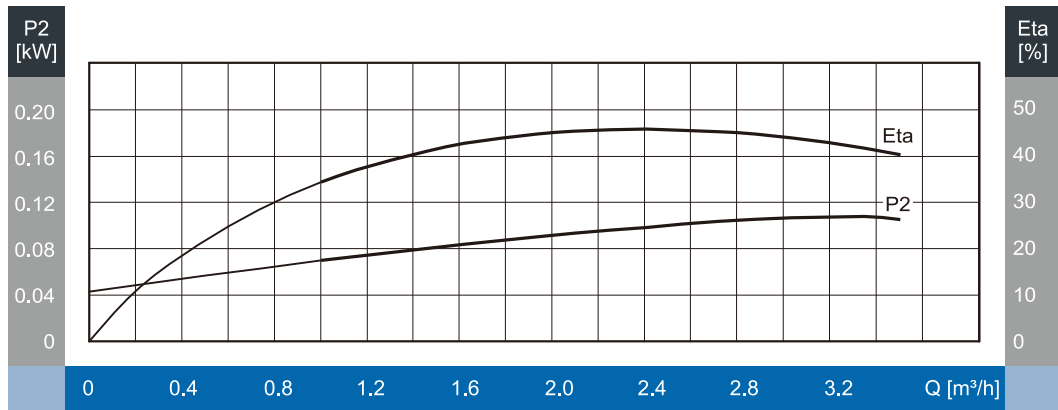
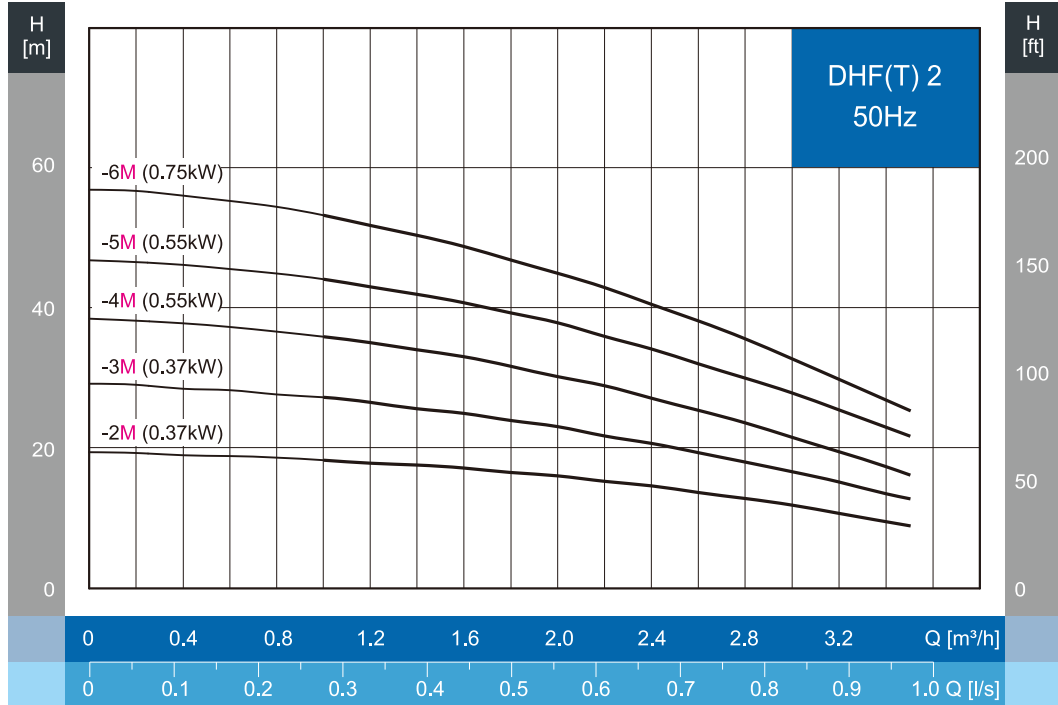


Dimension / Weight

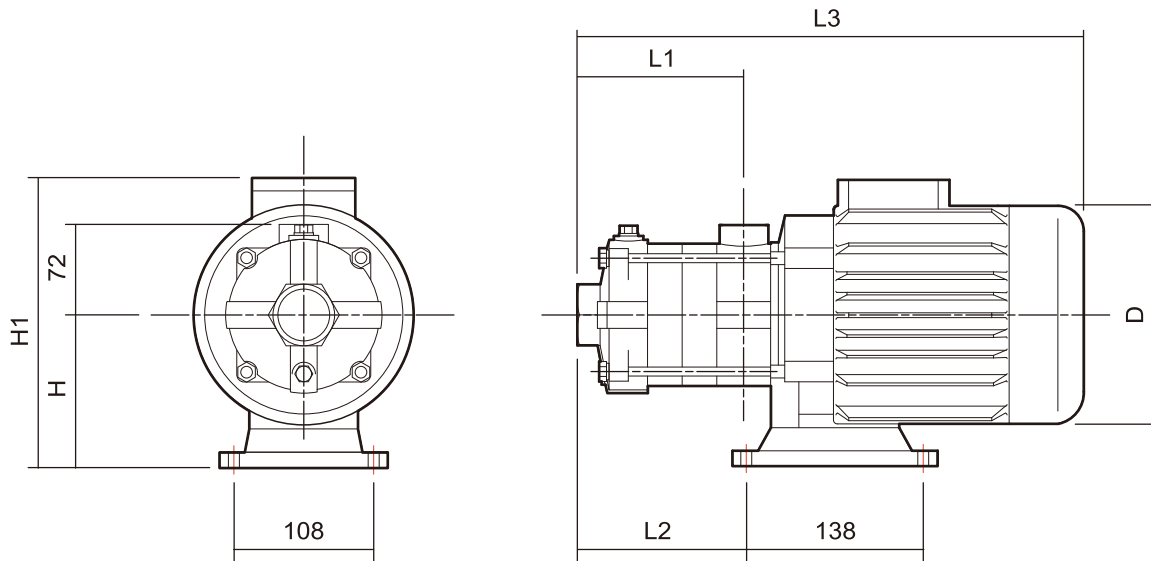
MODEL	DIAMETER		POWER		SIZE (mm)						WEIGHT (kg)
	INLET	OUTLET	kW	HP	L1	L2	L3	H	H1	D	
DHF(T)1-2M	25A	25A	0.37	0.5	85.5	88.5	313	110	229	140	16
DHF(T)1-3M	25A	25A	0.37	0.5	103.5	106.5	331	110	229	140	16
DHF(T)1-4M	25A	25A	0.37	0.5	121.5	124.5	349	110	229	140	16
DHF(T)1-5M	25A	25A	0.37	0.5	139.5	142.5	367	110	229	140	16
DHF(T)1-6M	25A	25A	0.37	0.5	157.5	160.5	385	110	229	140	16
DHF(T)1-7M	25A	25A	0.37	0.5	175.5	178.5	403	110	229	150	16
DHF(T)1-8M	25A	25A	0.55	0.75	193.5	196.5	421	110	229	150	17

Notice | For the 3phase 380V power input, "M" is omitted from the model name.

Performance Curve



Installation Sketch

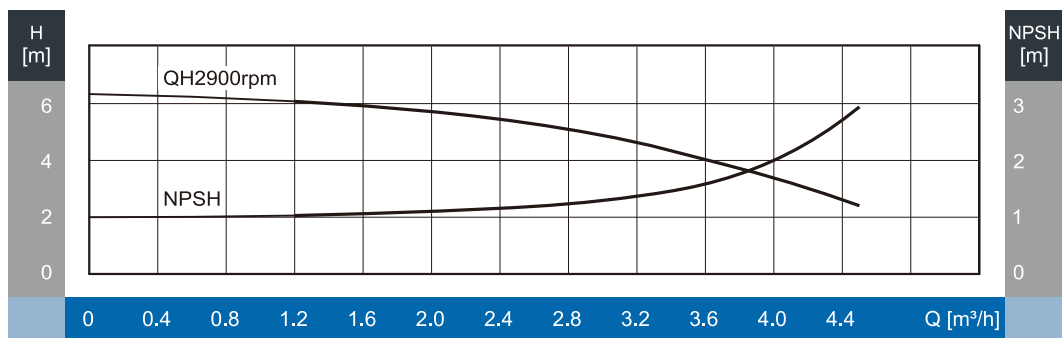
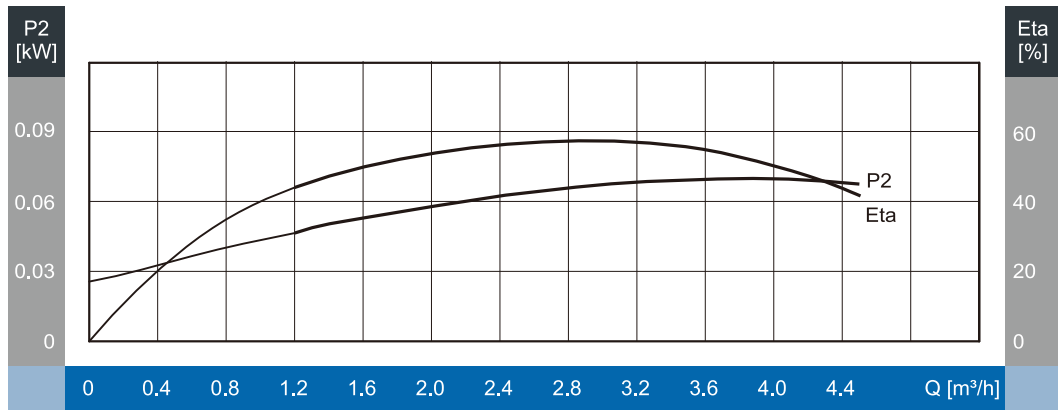
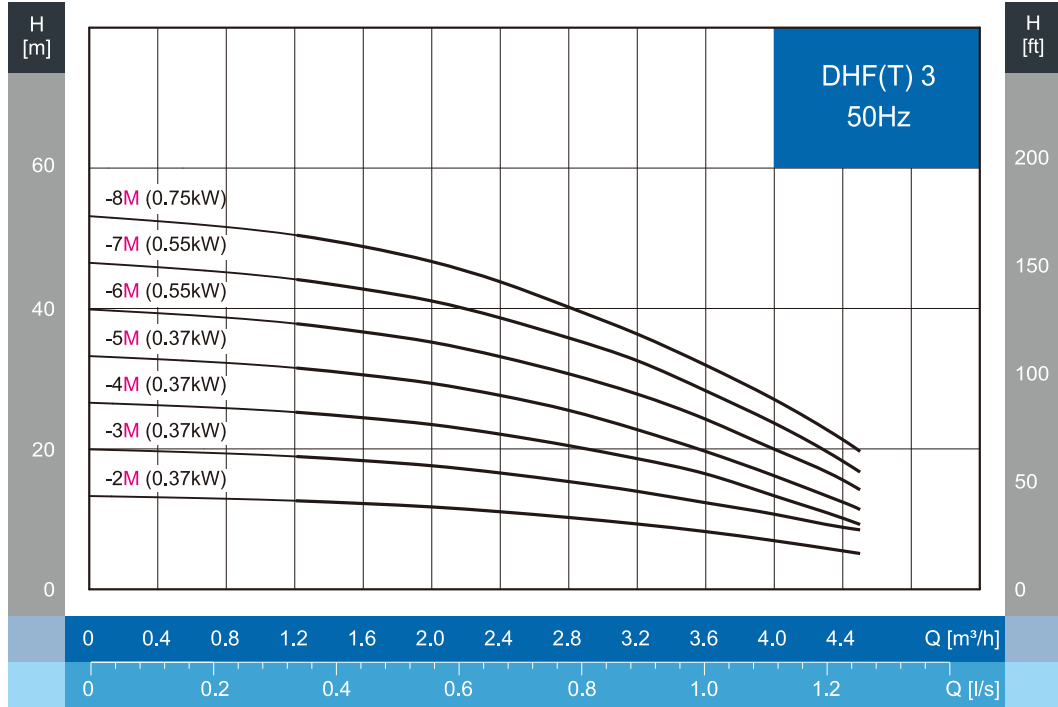


Dimension / Weight

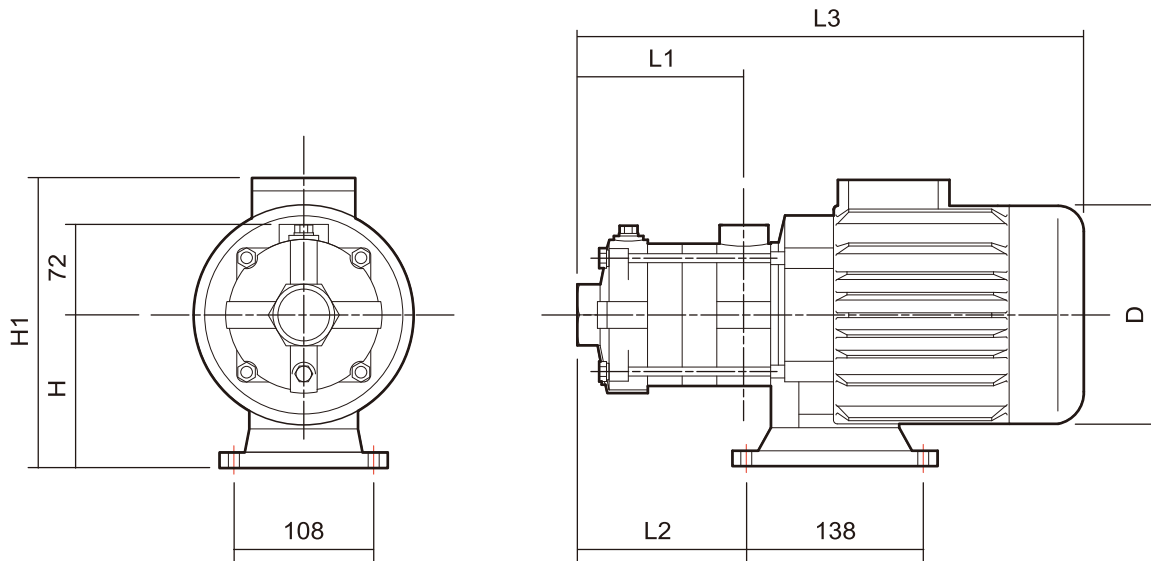
MODEL	DIAMETER		POWER		SIZE (mm)						WEIGHT (kg)
	INLET	OUTLET	kW	HP	L1	L2	L3	H	H1	D	
DHF(T)2-2M	25A	25A	0.37	0.5	85.5	88.5	313	110	229	140	16
DHF(T)2-3M	25A	25A	0.37	0.5	103.5	106.5	331	110	229	140	16
DHF(T)2-4M	25A	25A	0.55	0.75	121.5	124.5	349	110	229	140	17
DHF(T)2-5M	25A	25A	0.55	0.75	139.5	142.5	367	110	229	140	17
DHF(T)2-6M	25A	25A	0.75	1	157.5	160.5	409	110	236	150	18

Notice | For the 3phase 380V power input, "M" is omitted from the model name.

Performance Curve



Installation Sketch

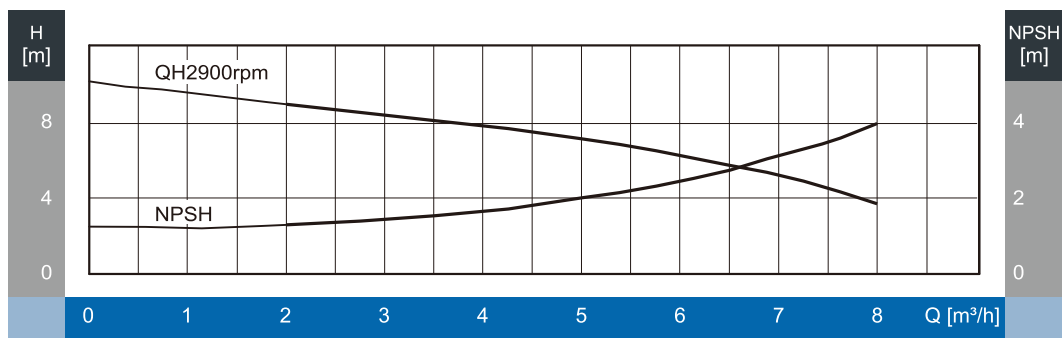
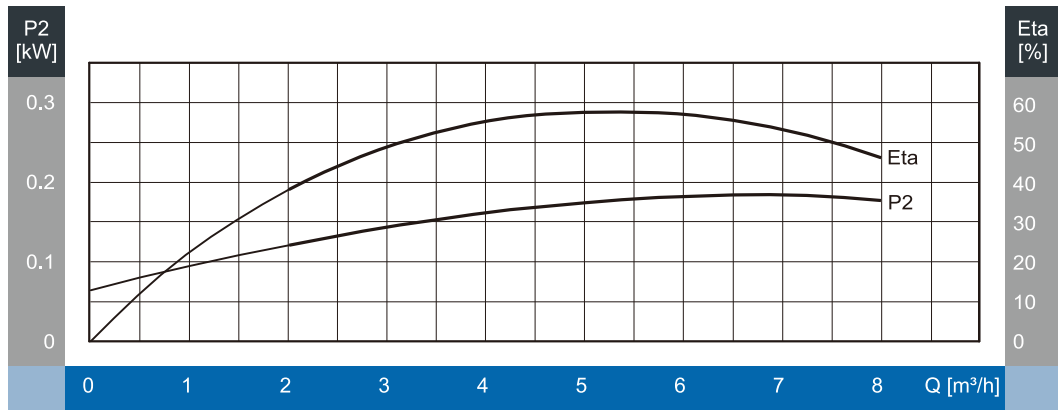
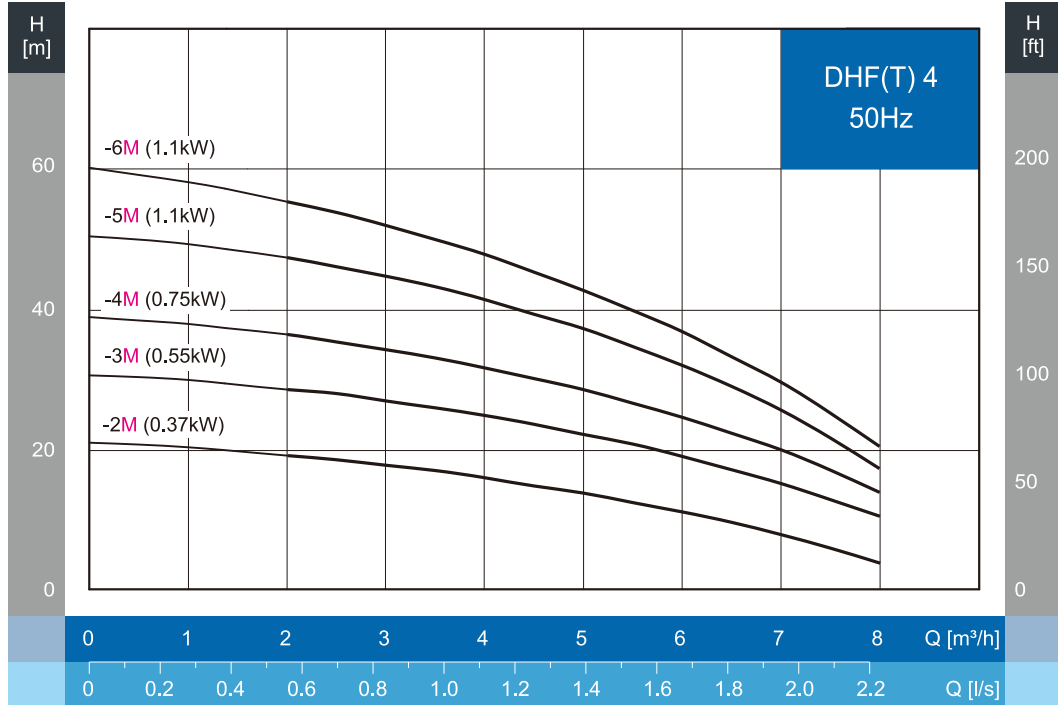


Dimension / Weight

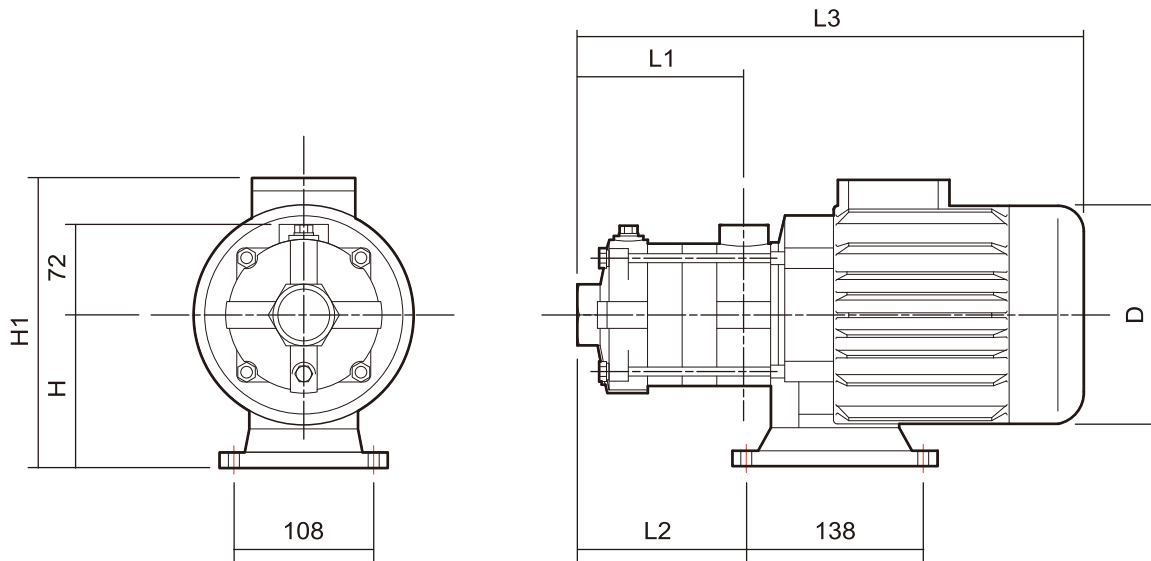
MODEL	DIAMETER		POWER		SIZE (mm)						WEIGHT (kg)
	INLET	OUTLET	kW	HP	L1	L2	L3	H	H1	D	
DHF(T)3-2M	25A	25A	0.37	0.5	85.5	88.5	313	110	229	140	16
DHF(T)3-3M	25A	25A	0.37	0.5	103.5	106.5	331	110	229	140	16
DHF(T)3-4M	25A	25A	0.37	0.5	121.5	124.5	349	110	229	140	16
DHF(T)3-5M	25A	25A	0.37	0.5	139.5	142.5	367	110	229	140	16
DHF(T)3-6M	25A	25A	0.55	0.75	157.5	160.5	385	110	229	140	17
DHF(T)3-7M	25A	25A	0.55	0.75	175.5	178.5	403	110	229	140	17
DHF(T)3-8M	25A	25A	0.75	1	193.5	196.5	445	110	236	150	18

Notice | For the 3phase 380V power input, "M" is omitted from the model name.

Performance Curve



Installation Sketch

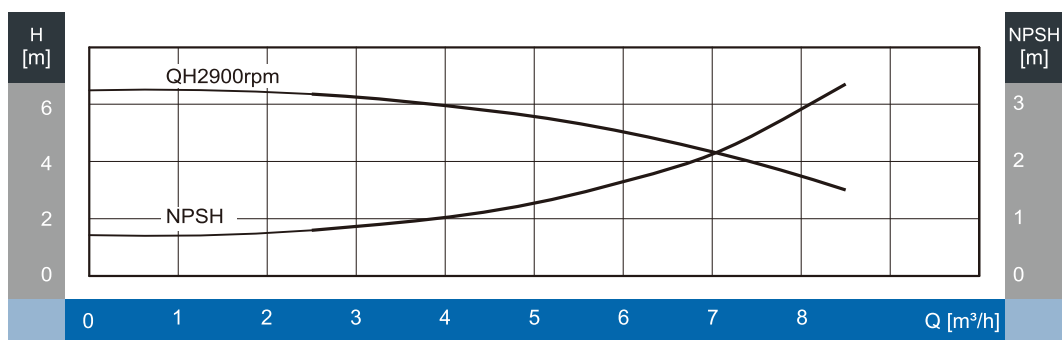
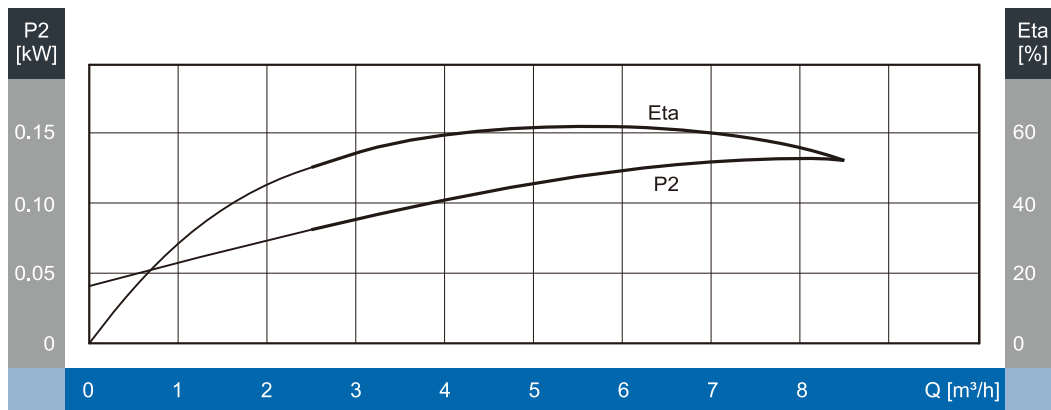
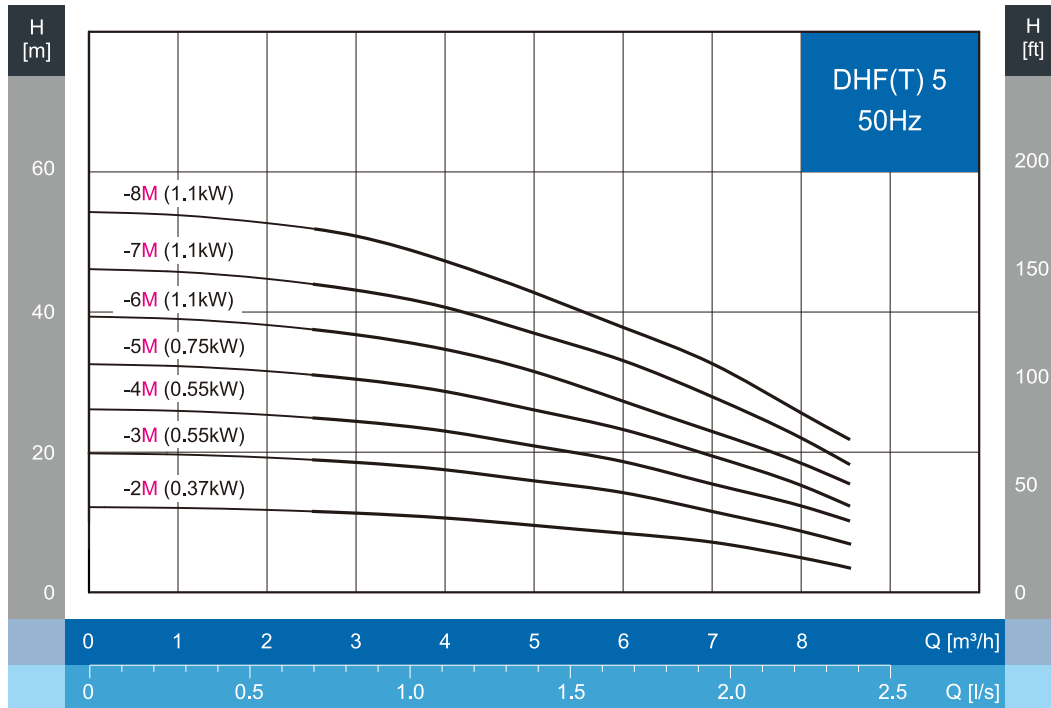


Dimension / Weight

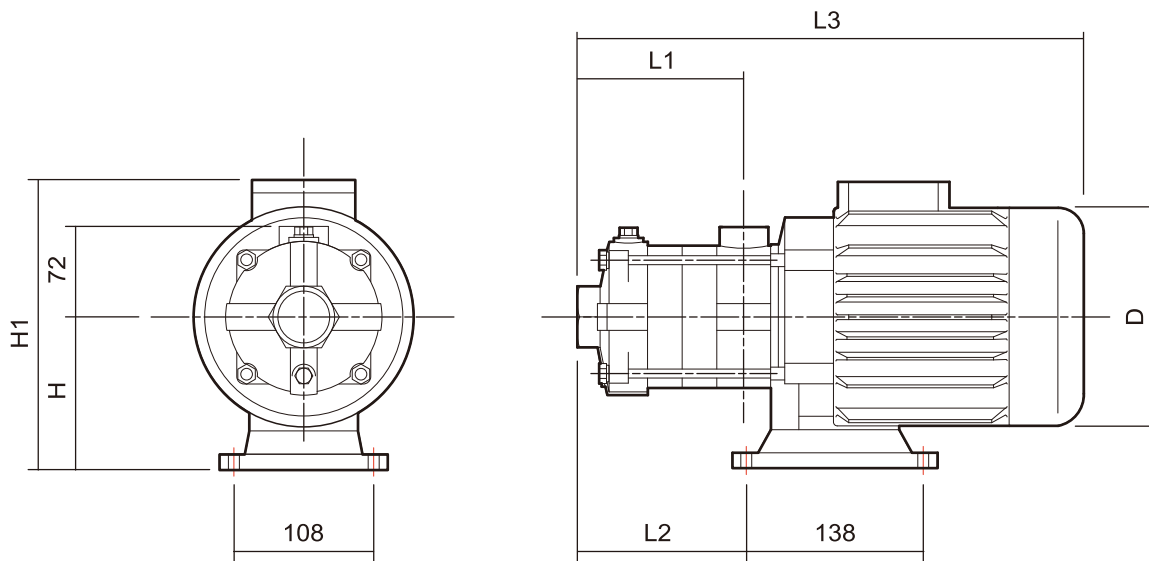
MODEL	DIAMETER		POWER		SIZE (mm)						WEIGHT (kg)
	INLET	OUTLET	kW	HP	L1	L2	L3	H	H1	D	
DHF(T)4-2M	32A	25A	0.37	0.5	103	106	330	110	229	140	16
DHF(T)4-3M	32A	25A	0.55	0.75	130	133	357	110	229	140	17
DHF(T)4-4M	32A	25A	0.75	1	157	160	410	110	236	150	18
DHF(T)4-5M	32A	25A	1.1	1.5	184	187	437	110	236	150	19
DHF(T)4-6M	32A	25A	1.1	1.5	211	214	464	110	236	150	19

Notice | For the 3phase 380V power input, "M" is omitted from the model name.

Performance Curve



Installation Sketch

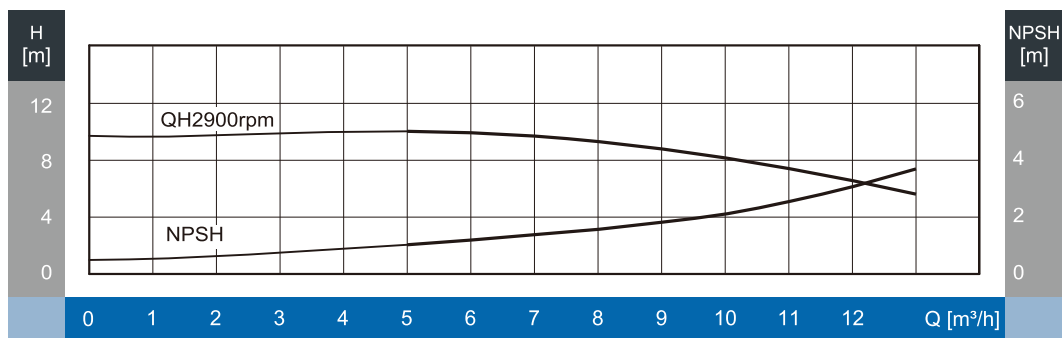
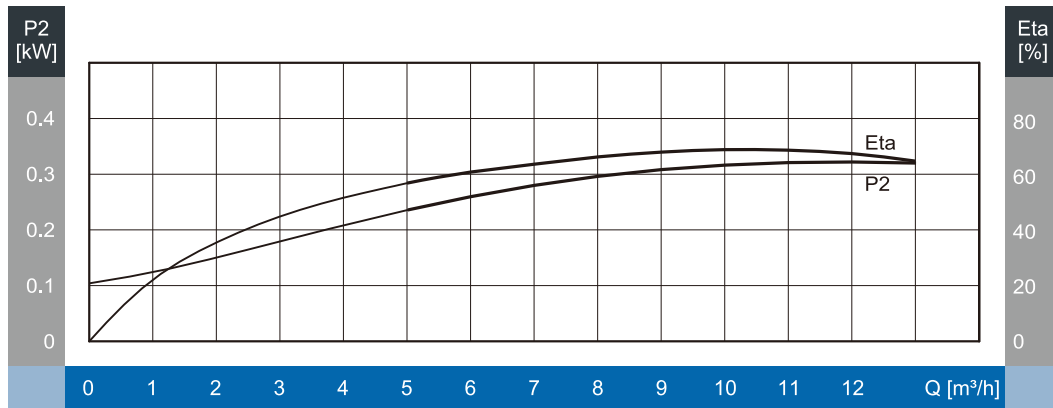
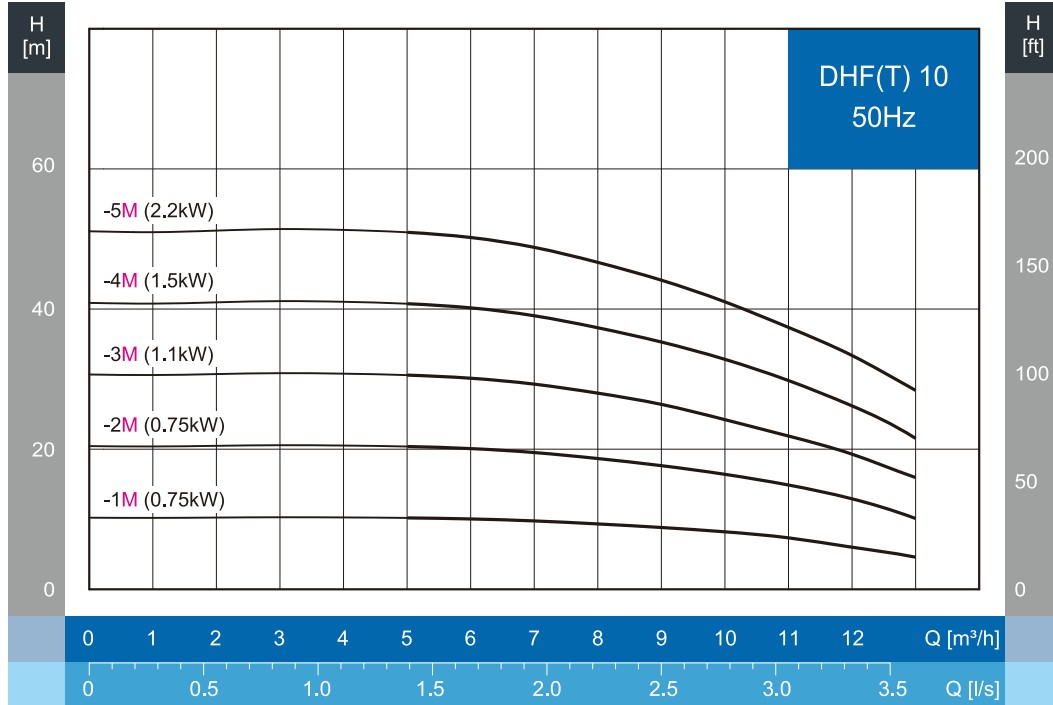


Dimension / Weight

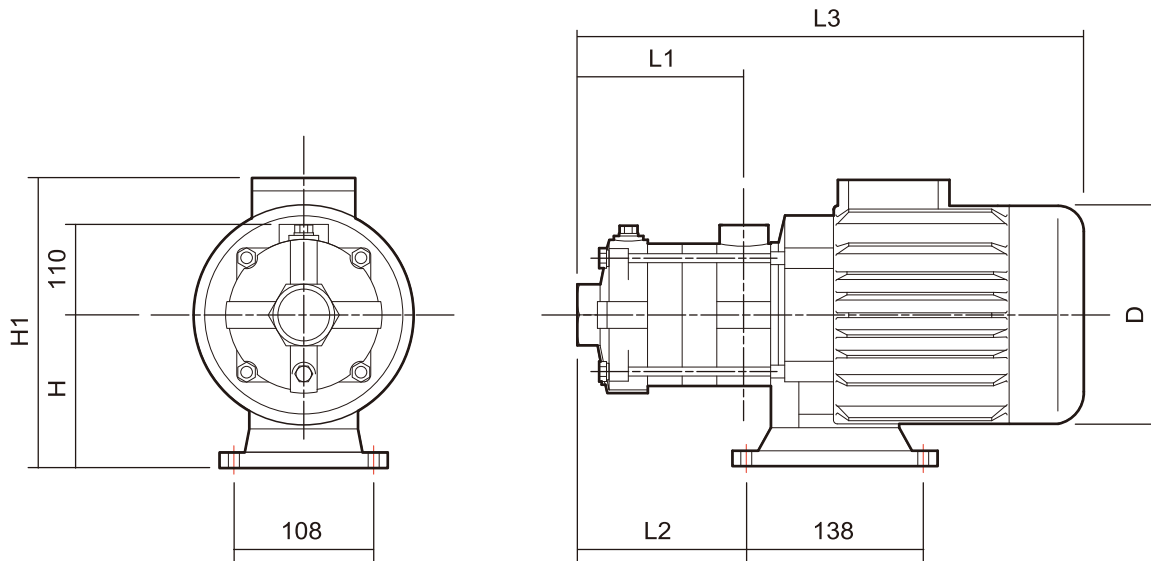
MODEL	DIAMETER		POWER		SIZE (mm)						WEIGHT (kg)
	INLET	OUTLET	kW	HP	L1	L2	L3	H	H1	D	
DHF(T)5-2M	32A	25A	0.37	0.5	103	106	330	110	229	140	16
DHF(T)5-3M	32A	25A	0.55	0.75	130	133	357	110	229	140	17
DHF(T)5-4M	32A	25A	0.55	0.75	157	160	384	110	229	140	17
DHF(T)5-5M	32A	25A	0.75	1	184	187	436	110	236	150	18
DHF(T)5-6M	32A	25A	1.1	1.5	211	214	463	110	236	150	19
DHF(T)5-7M	32A	25A	1.1	1.5	238	241	490	110	236	150	19
DHF(T)5-8M	32A	25A	1.1	1.5	265	268	517	110	236	150	19

Notice | For the 3phase 380V power input, "M" is omitted from the model name.

Performance Curve



Installation Sketch

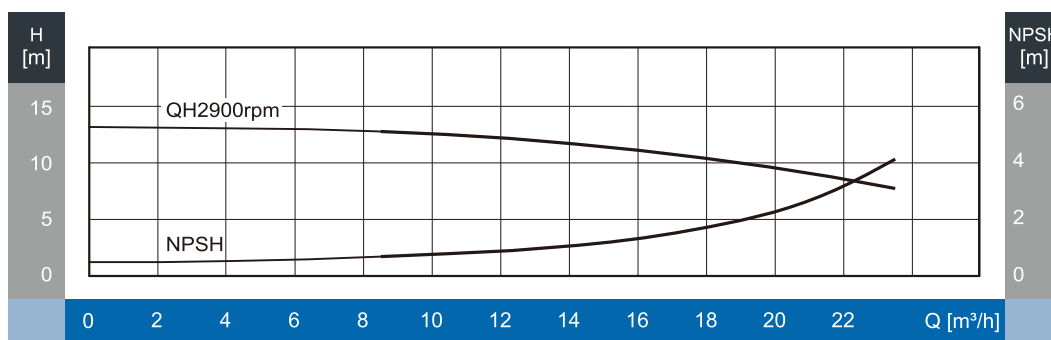
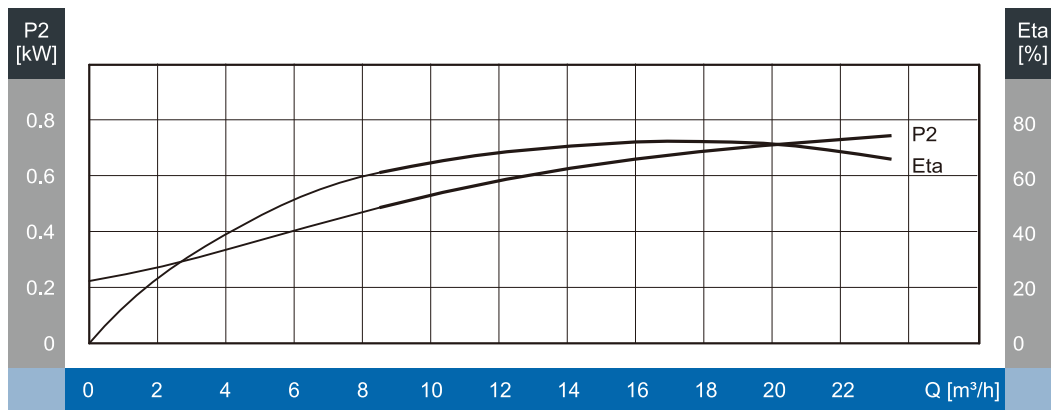
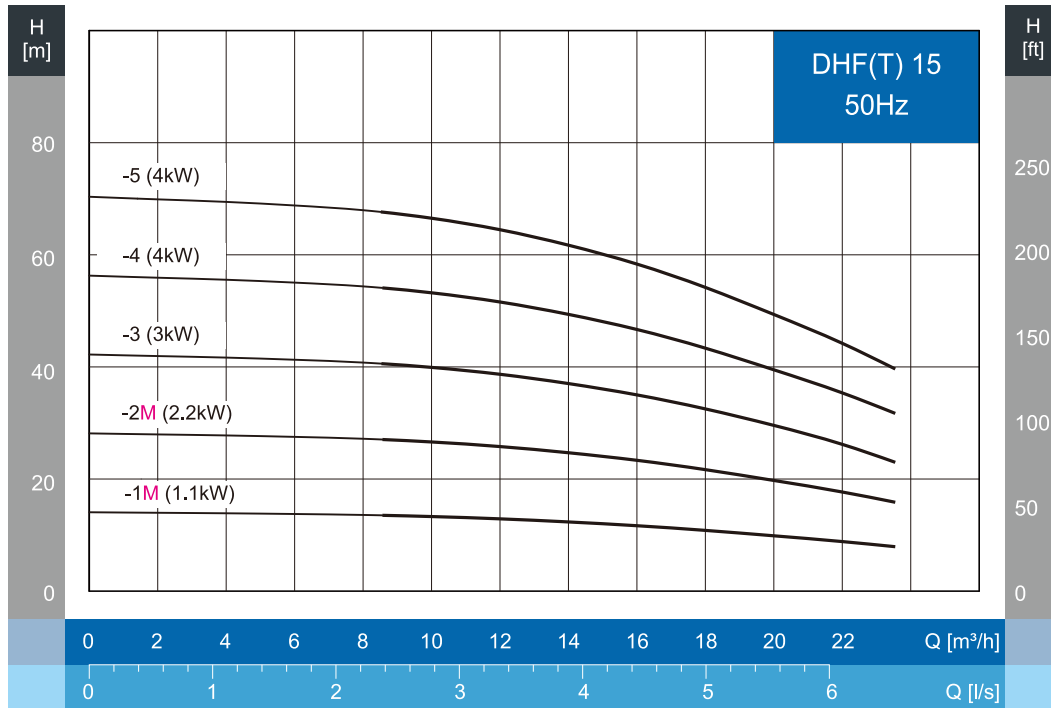


Dimension / Weight

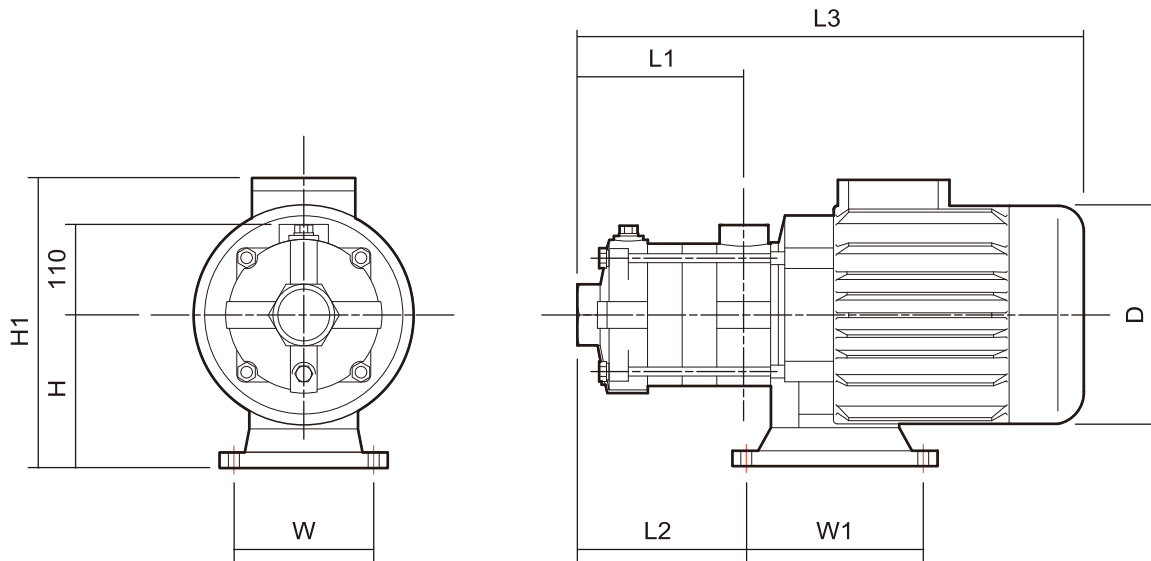
MODEL	DIAMETER		POWER		SIZE (mm)						WEIGHT (kg)
	INLET	OUTLET	kW	HP	L1	L2	L3	H	H1	D	
DHF(T)10-1M	40A	32A	0.75	1	76	94	344	117	242	151	21
DHF(T)10-2M	40A	32A	0.75	1	106	124	374	117	242	151	21
DHF(T)10-3M	40A	32A	1.1	1.5	136	154	404	117	242	151	22
DHF(T)10-4M	40A	32A	1.5	2	166	184	474	118	255	171	27
DHF(T)10-5M	40A	32A	2.2	3	196	214	504	118	255	171	30

Notice | For the 3phase 380V power input, "M" is omitted from the model name.

Performance Curve



Installation Sketch

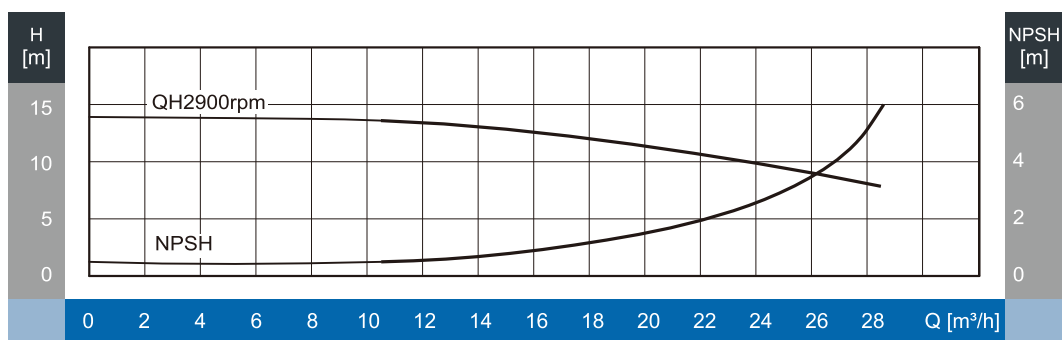
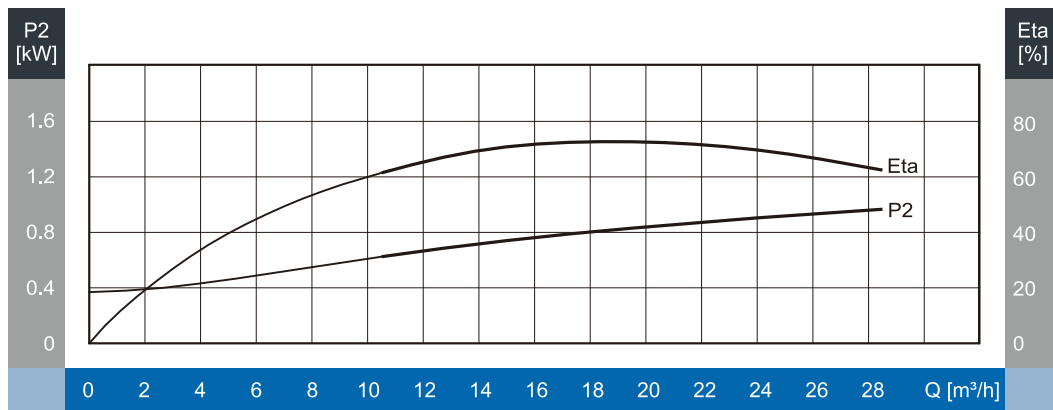
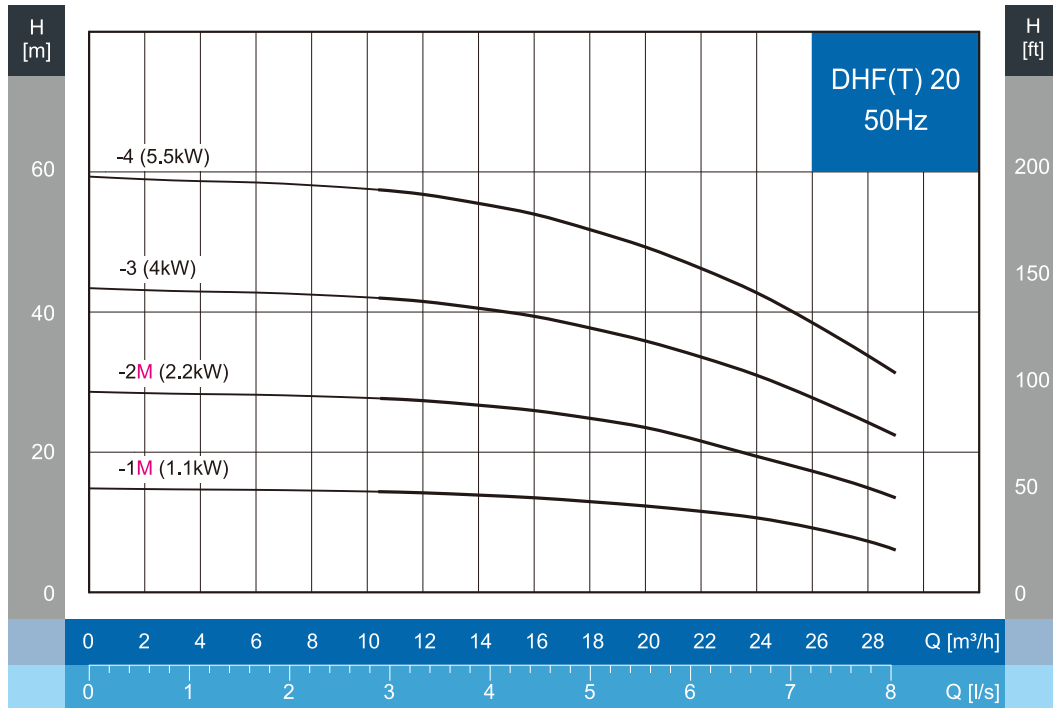


Dimension / Weight

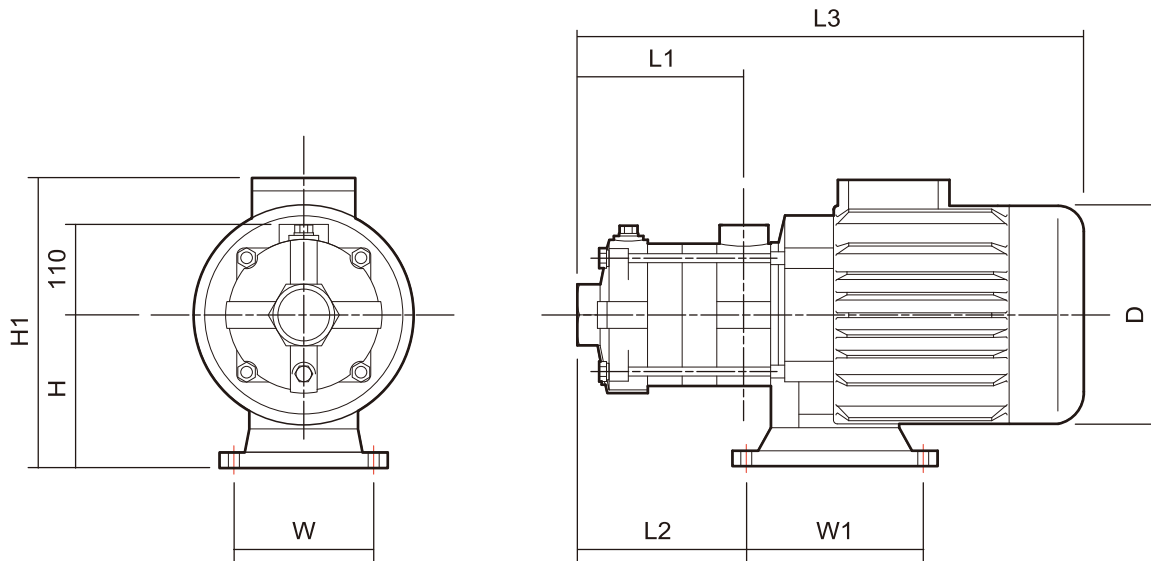
MODEL	DIAMETER		POWER		SIZE (mm)								WEIGHT (kg)
	INLET	OUTLET	kW	HP	L1	L2	L3	W	W1	H	H1	D	
DHF(T)15-1M	50A	50A	1.1	1.5	81	105	383	108	138	118	235	158	23
DHF(T)15-2M	50A	50A	2.2	3	126	150	473	108	138	118	240	175	31
DHF(T)15-3	50A	50A	3	4	171	195	565	108	138	130	255	196	39
DHF(T)15-4	50A	50A	4	5.5	216	336	634	190	140	120	300	220	46
DHF(T)15-5	50A	50A	4	5.5	261	381	679	190	140	120	300	220	46

Notice | For the 3phase 380V power input, "M" is omitted from the model name.

Performance Curve



Installation Sketch



Dimension / Weight

MODEL	DIAMETER		POWER		SIZE (mm)								WEIGHT (kg)
	INLET	OUTLET	kW	HP	L1	L2	L3	W1	W	H	H1	D	
DHF(T)20-1M	50A	50A	1.1	1.5	81	105	383	138	108	118	235	158	23
DHF(T)20-2M	50A	50A	2.2	3	126	150	473	138	108	118	240	175	31
DHF(T)20-3	50A	50A	4	5.5	171	291	589	140	190	120	300	220	46
DHF(T)20-4	50A	50A	5.5	7.5	216	349	640	140	216	132	300	258	64

Notice | For the 3phase 380V power input, "M" is omitted from the model name.



Features

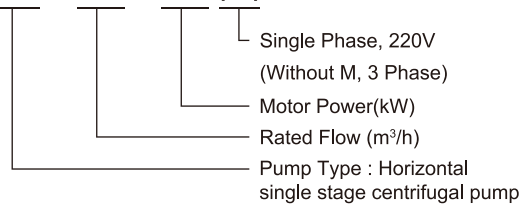
- DHM is single-stage centrifugal pump and features an axial suction and radial discharge.
- Compact structure, the pump is directly connected to the motor
- Convenient installation, screw thread water inlet and outlet
- Light weight, thin, plate pressing structure for main parts and components

Application

- Pressurization and pumping of industrial and civilian clean water or other liquids.
- Water treatment
- Water circulating system
- Other fields for water supply

Definition of Model

DHM 15 - 1.5 (M)



Pump Liquid

Clean, thin, non-flammable and explosive, not containing the liquid with solid particle and fiber.

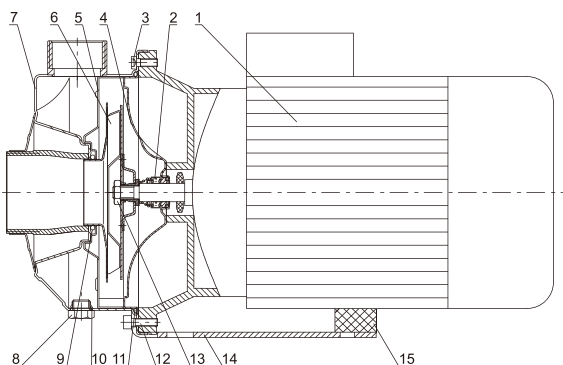
Installation Requirement

- The pump shall be fastened on the stable horizontal base
- The installation of the pump shall ensure that the pump will not be forced by the tension of the pipeline
- The pump shall be installed on the ventilating and anti-freezing place
- Electric wiring device shall guarantee that the pump will not be damaged by lack of phase, unstable voltage, current leakage and overload.

Motor Specification

Motor type : TEFC
Protection class : IP54
Insulation class : F
Standard voltage : 3 phase 220V/380V, 50Hz
single phase 220V, 50Hz

Sectional Drawing

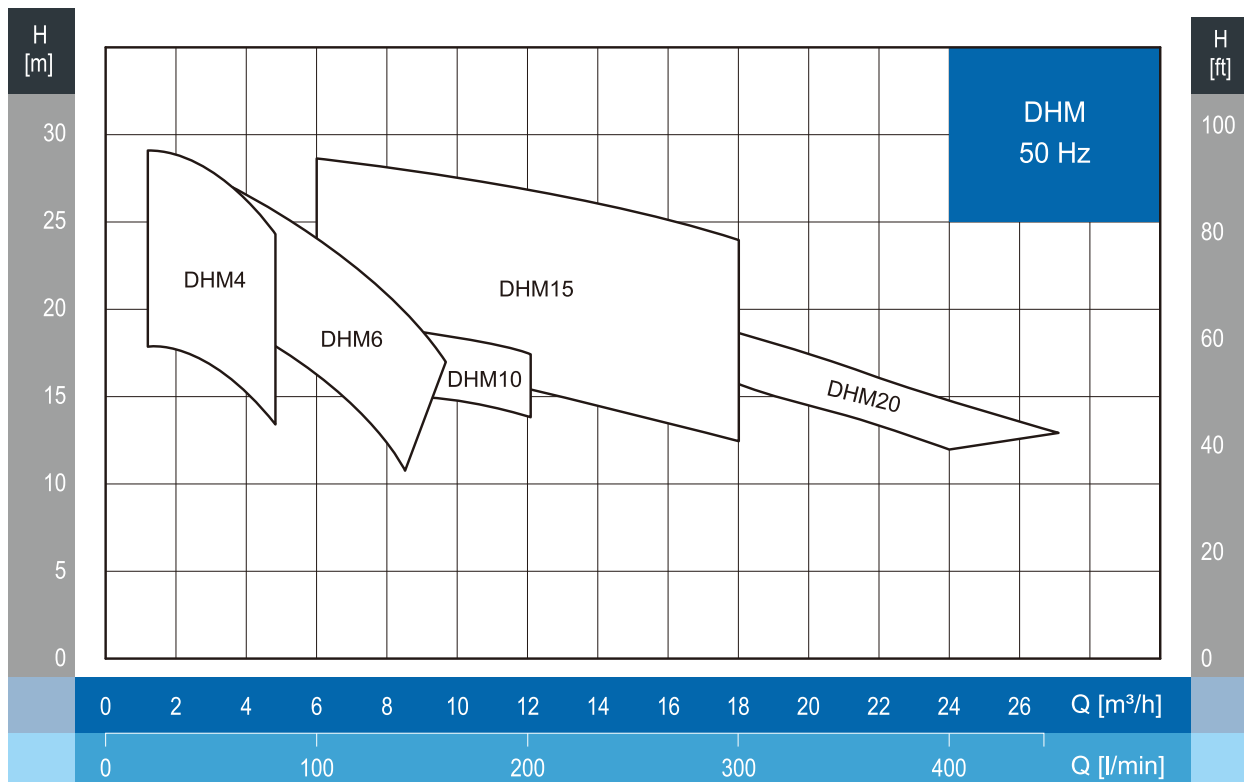


Materials

NO.	PART	MATERIAL	AISI/ASTM
1	Motor	Cast iron / Aluminum diecastings	
2	Mechanical Seal		
3	Bolt	Stainless steel	AISI304
4	Seal Housing	Stainless steel	AISI304
5	Diffuser	Stainless steel	AISI304
6	Impeller	Stainless steel	AISI304
7	Pump Body	Stainless steel	AISI304
8	Drain Plug	Stainless steel	AISI304
9-11	O-ring	NBR	
12	Bolt	Stainless steel	AISI304
13	Impeller nut M10	Stainless steel	AISI304
14	Base	Steel	A570
15	Support	NBR	

STAINLESS STEEL HORIZONTAL SINGLESTAGE PUMP

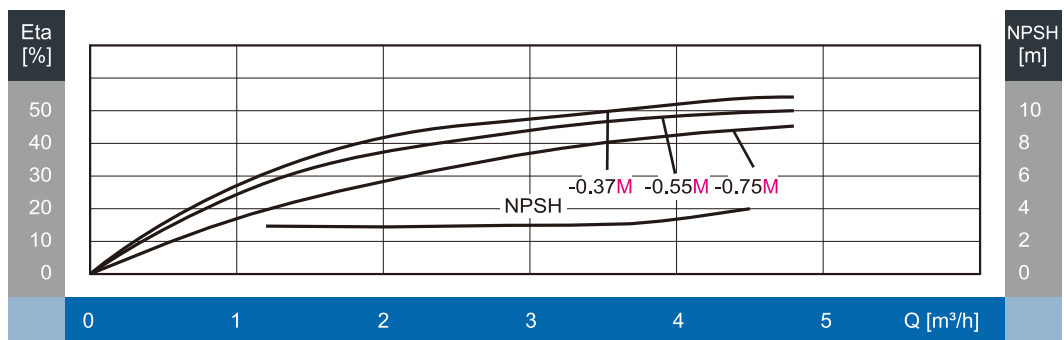
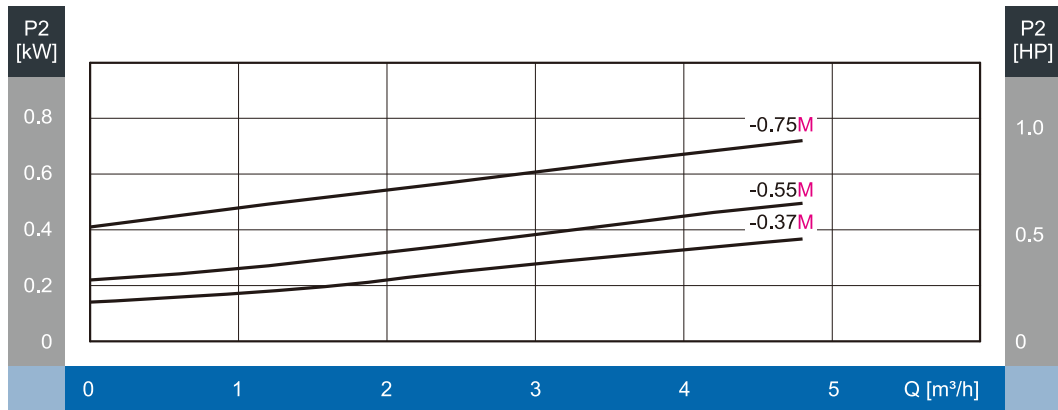
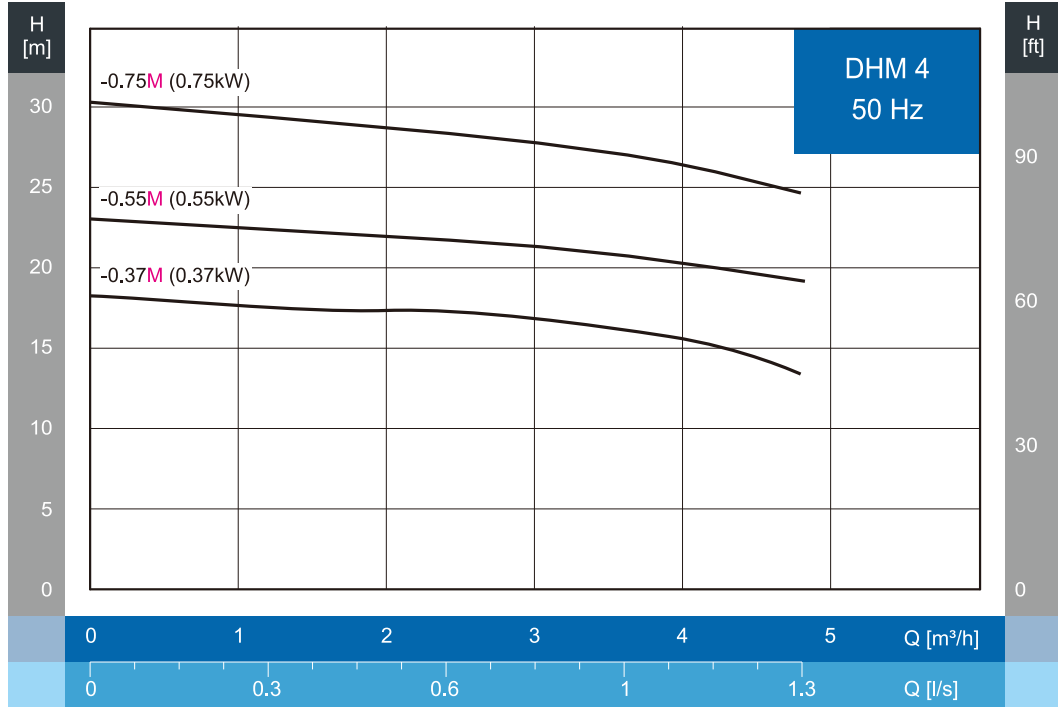
Performance Range



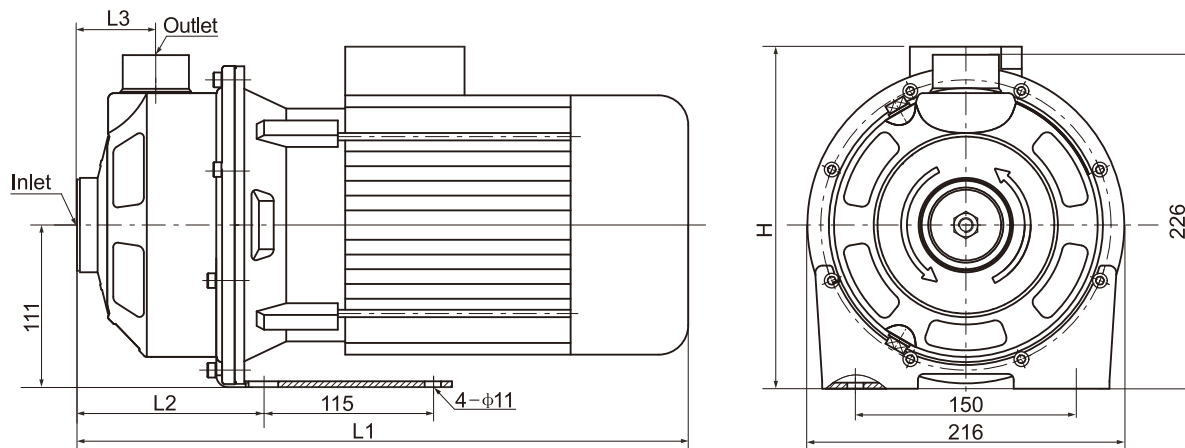
Specification

Description	DHM4	DHM6	DHM10	DHM15	DHM20
Rated Flow [m³/h]	4	6	10	15	20
Flow Range [m³/h]	1.2-4.8	2.4-9.6	3.6-12	6-18	7.2-27
Max. operation Pressure [bar]	8	8	8	8	8
Motor Power [kW]	0.37-0.75	0.55-1.1	0.75-1.1	1.1-1.5	1.5-2.2
Liquid Temperature [°C]	-10 ~ 85°C				
Ambient Temperature [°C]	Max. 40°C				
Pump Type	Horizontal Single-Stage Pump				
Inlet Diameter	32A	32A	40A	40A	50A
Outlet Diameter	25A	25A	32A	32A	32A

Performance Curve



Installation Sketch

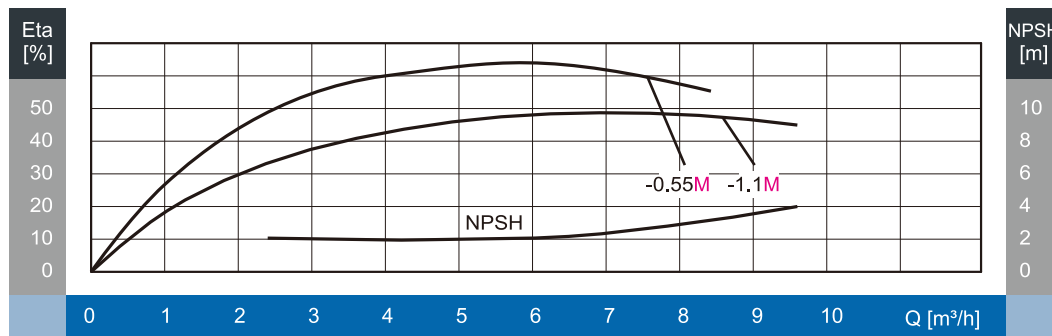
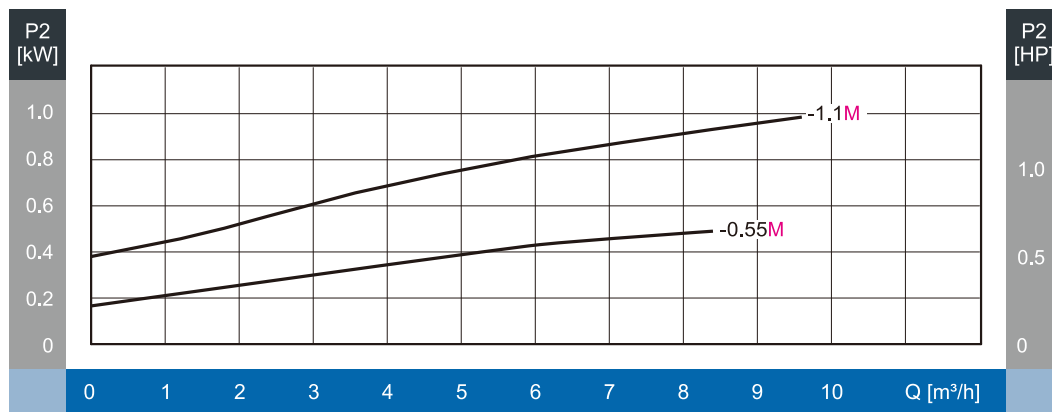
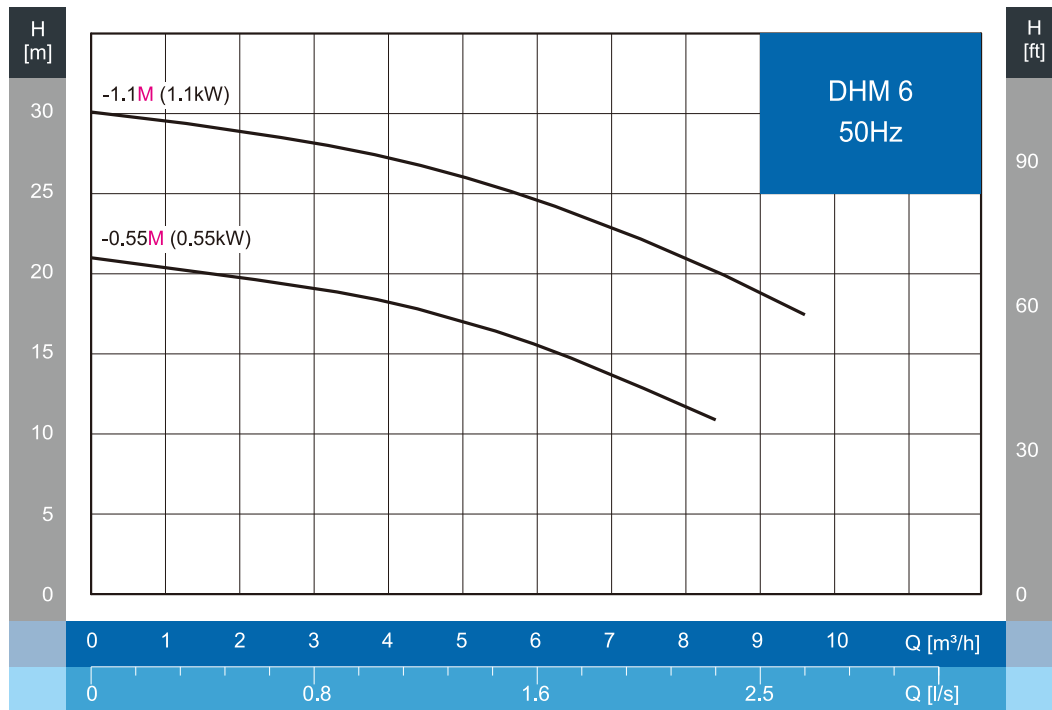


Dimension / Weight

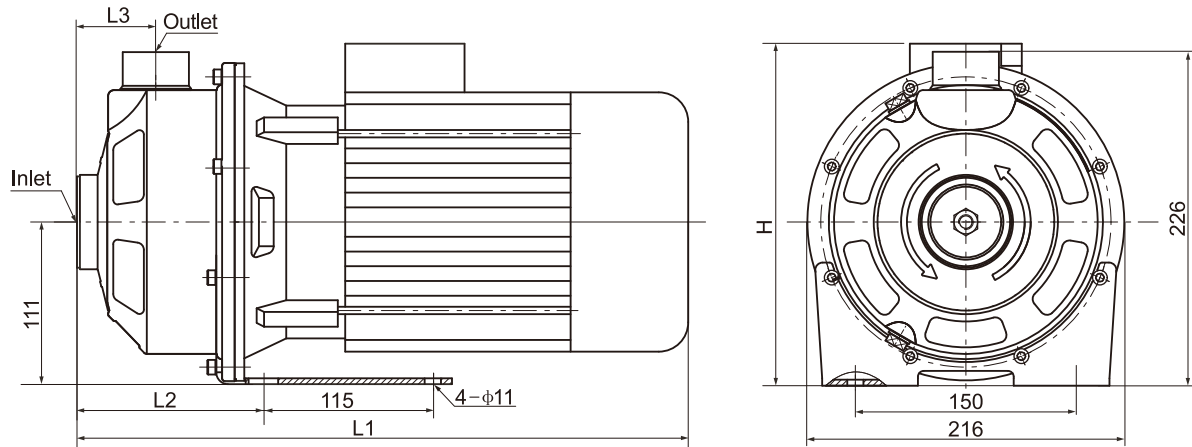
MODEL	DIAMETER		POWER		SIZE (mm)				WEIGHT (kg)
	INLET	OUTLET	kW	HP	L1	L2	L3	H	
DHM4-0.37M	32A	25A	0.37	0.5	322.5	112.5	51	227	10
DHM4-0.55M	32A	25A	0.55	0.75	322.5	112.5	51	227	12
DHM4-0.75M	32A	25A	0.75	1	350.5	112.5	51	232.5	14

Notice | For the 3phase 380V power input, "M" is omitted from the model name.

Performance Curve



Installation Sketch

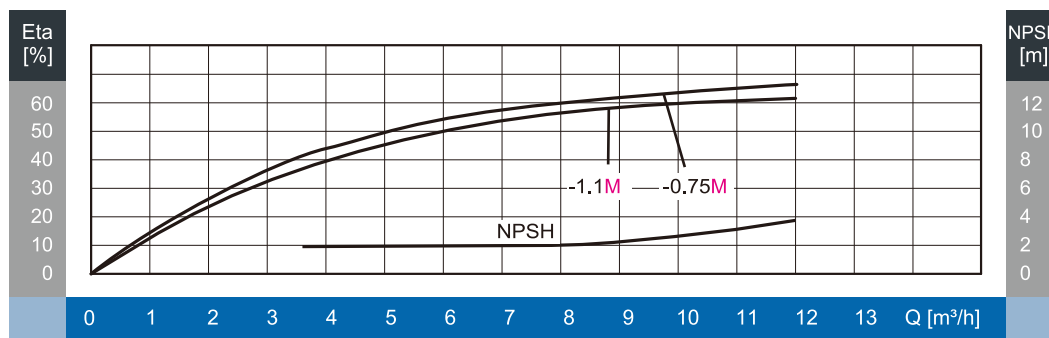
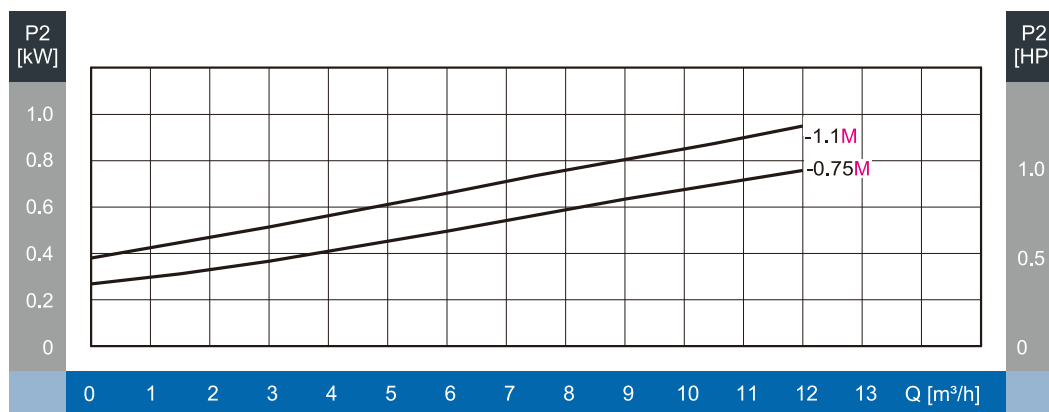
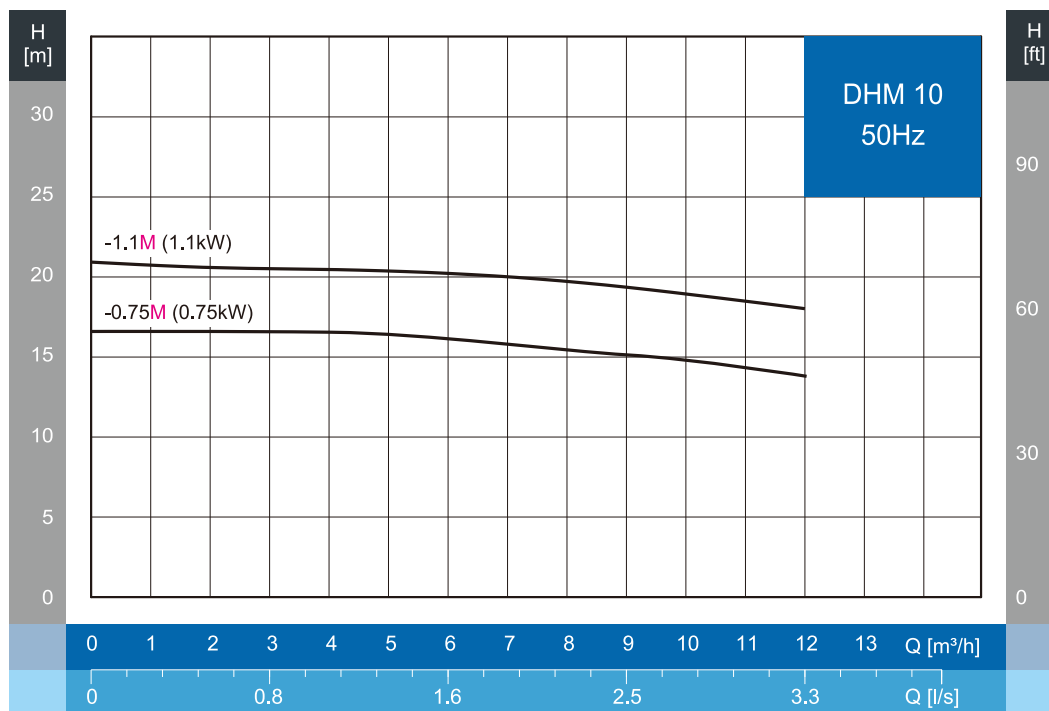


Dimension / Weight

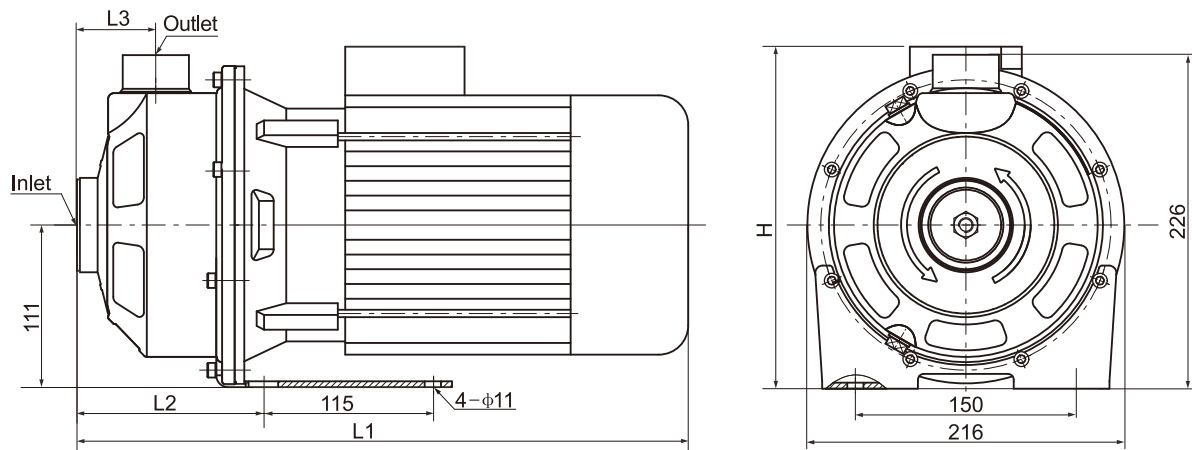
MODEL	DIAMETER		POWER		SIZE (mm)				WEIGHT (kg)
	INLET	OUTLET	kW	HP	L1	L2	L3	H	
DHM6-0.55M	32A	25A	0.55	0.75	322.5	112.5	51	227	12
DHM6-1.1M	32A	25A	1.1	1.5	350.5	112.5	51	232.5	16

Notice | For the 3phase 380V power input, "M" is omitted from the model name.

Performance Curve



Installation Sketch

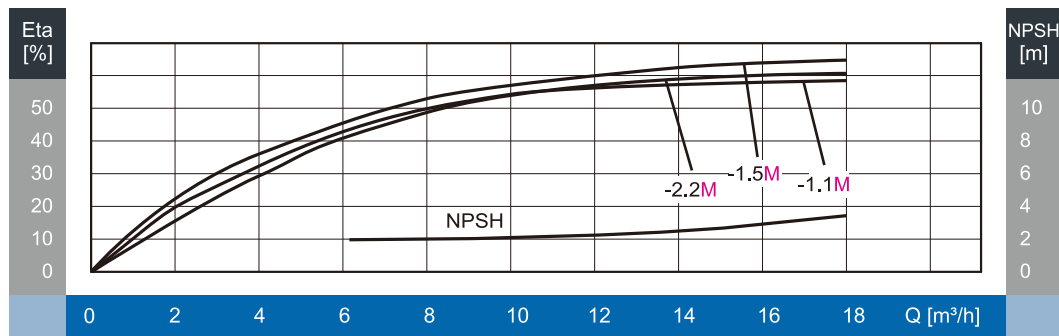
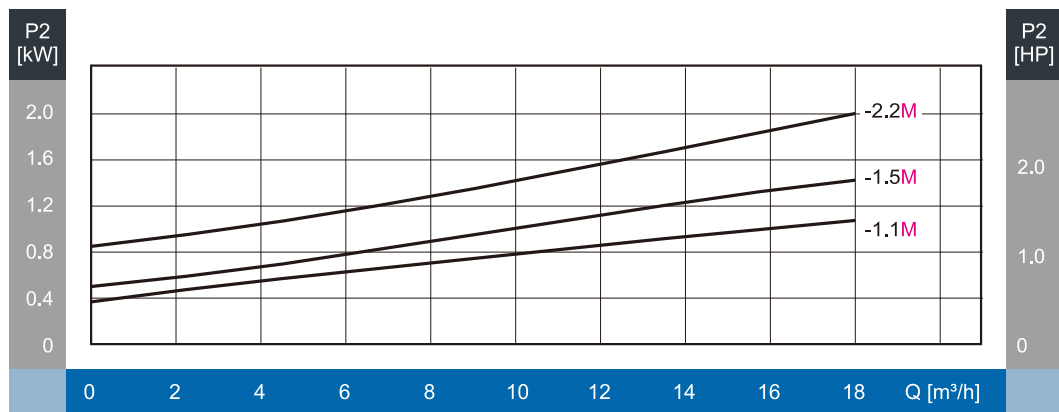
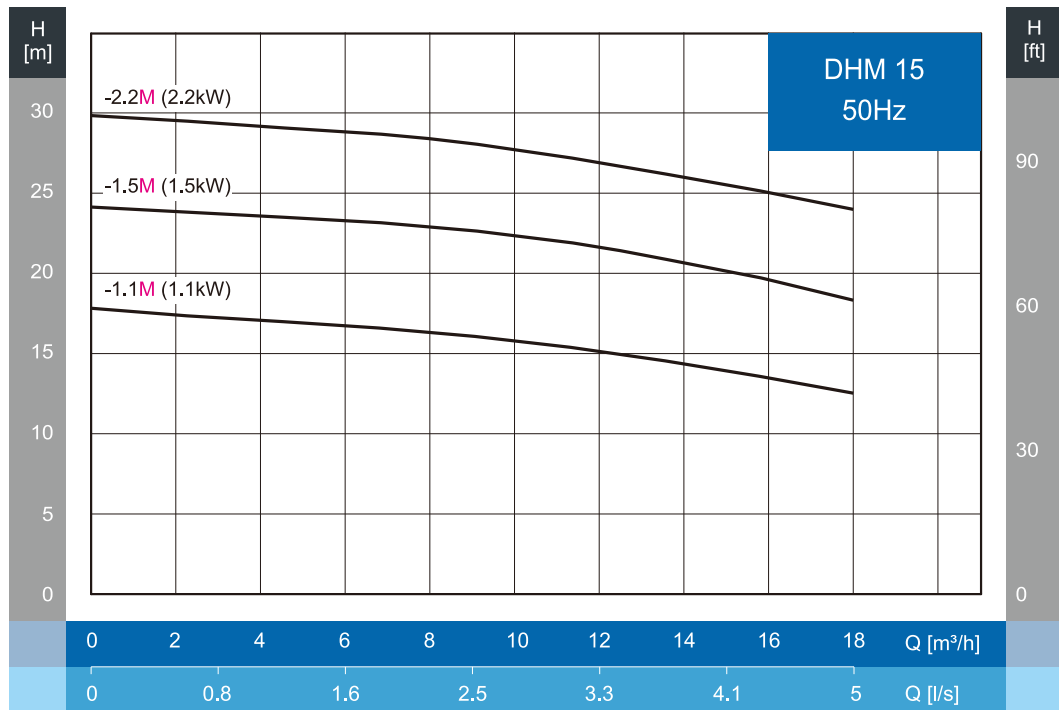


Dimension / Weight

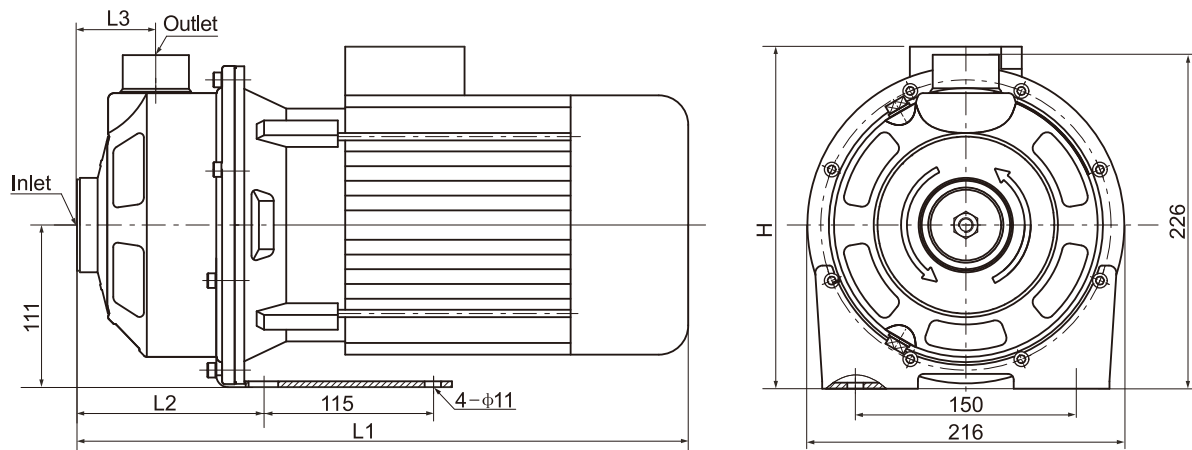
MODEL	DIAMETER		POWER		SIZE (mm)				WEIGHT (kg)
	INLET	OUTLET	kW	HP	L1	L2	L3	H	
DHM10-0.75M	40A	32A	0.75	1	364.5	127	54	232.5	14
DHM10-1.1M	40A	32A	1.1	1.5	364.5	127	54	232.5	16

Notice | For the 3phase 380V power input, "M" is omitted from the model name.

Performance Curve



Installation Sketch

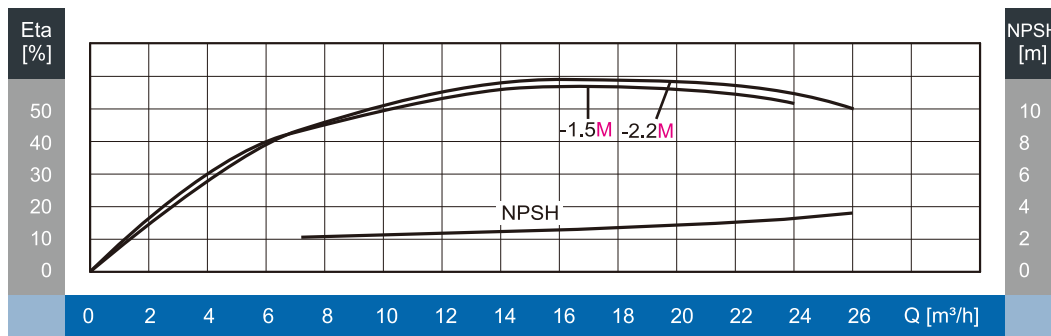
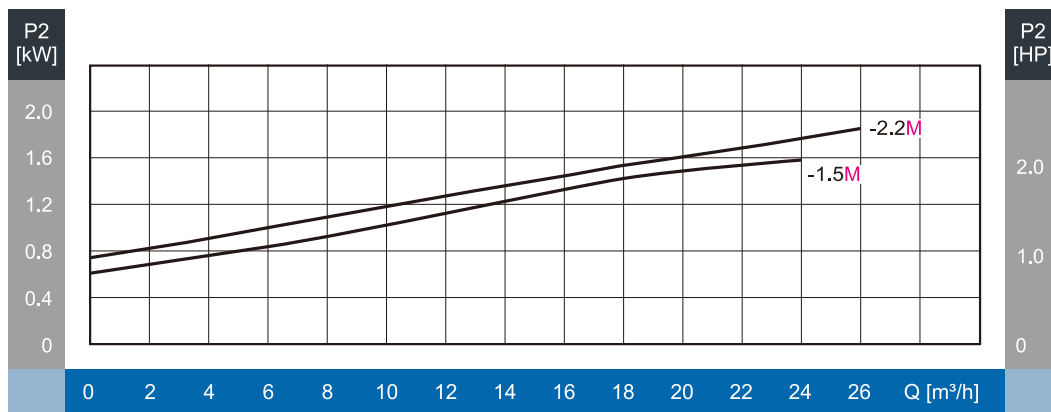
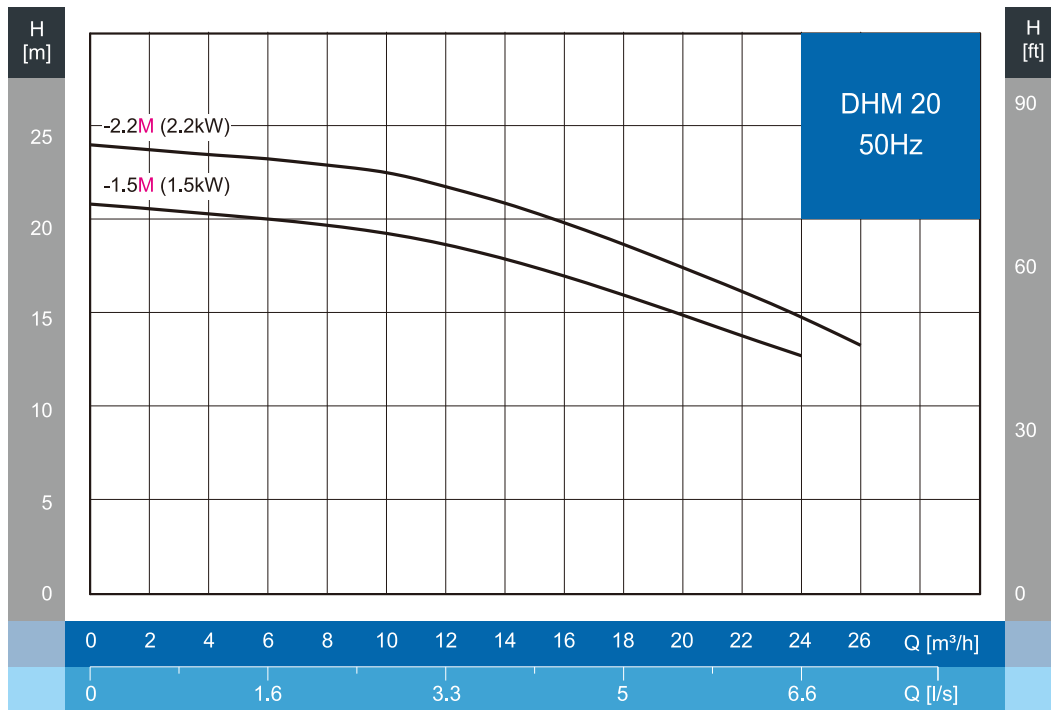


Dimension / Weight

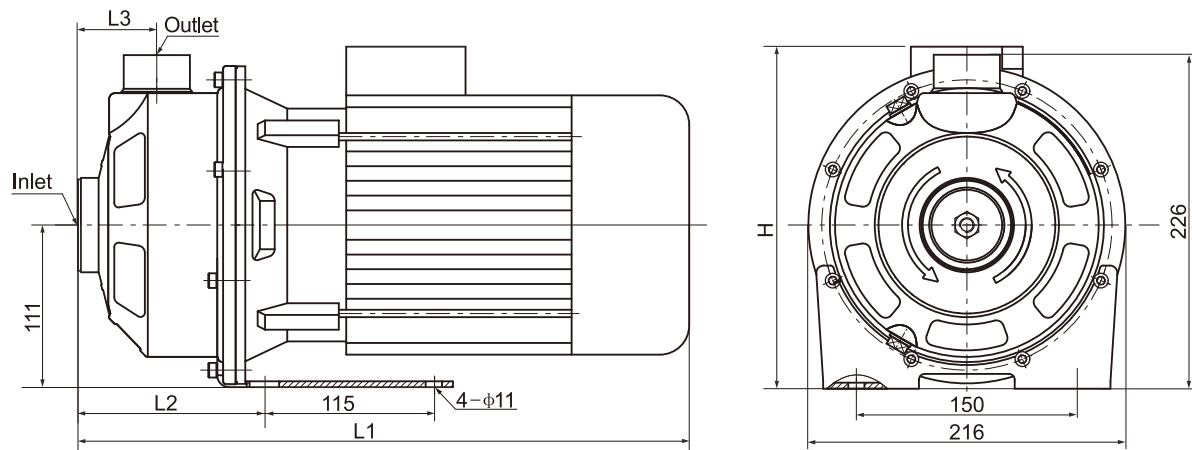
MODEL	DIAMETER		POWER		SIZE (mm)				WEIGHT (kg)
	INLET	OUTLET	kW	HP	L1	L2	L3	H	
DHM15-1.1M	40A	32A	1.1	1.5	364.5	127	54	232.5	16
DHM15-1.5M	40A	32A	1.5	2	405.5	127	54	248.5	20
DHM15-2.2M	40A	32A	2.2	3	405.5	127	54	248.5	23

Notice | For the 3phase 380V power input, "M" is omitted from the model name.

Performance Curve



Installation Sketch



Dimension / Weight

MODEL	DIAMETER		POWER		SIZE (mm)				WEIGHT (kg)
	INLET	OUTLET	kW	HP	L1	L2	L3	H	
DHM20-1.5M	50A	32A	1.5	2	405.5	127	54	248.5	20
DHM20-2.2M	50A	32A	2.2	3	405.5	127	54	248.5	23

Notice | For the 3phase 380V power input, "M" is omitted from the model name.

XQP SERIES

Individual VFD Booster Pump System

Max. Flow (Q) : 720m³/h
 Max. Head (H) : 245m
 Motor Power : 0.75~22kW (1~30HP)



NSQ SERIES

Individual VFD Booster Pump System

Max. Flow (Q) : 720m³/h
 Max. Head (H) : 245m
 Motor Power : 0.75~22kW (1~30HP)



MQ SERIES

Multi-Inverter Booster Pump System

Max. Flow (Q) : 720m³/h
 Max. Head (H) : 245m
 Motor Power : 0.75~22kW (1~30HP)



N747D SERIES

Inverter within Panel Booster Pump

Max. Flow (Q) : 720m³/h
 Max. Head (H) : 330m
 Motor Power : 0.75~45kW (1~60HP)

XQ-XR(L) SERIES

Built-In Inverter Multi-stage Vertical Pump

Max. Flow (Q) : 120m³/h
 Max. Head (H) : 245m
 Motor Power : 0.75~22kW (1~30HP)



XR(L) SERIES

Multi-Stage Vertical Pump

Max. Flow (Q) : 120m³/h
 Max. Head (H) : 330m
 Motor Power : 0.37~45kW
 (0.5~60HP)



TOTAL PUMP SOLUTION

SQ-2DHM SERIES

Built-In VFD Horizontal Booster Pump

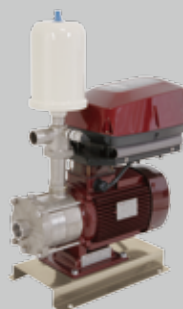
Max. Flow (Q) : 36m³/h
Max. Head (H) : 29m
Motor Power : 0.75~1.1kW (1~1.5HP)



NSQ-DHF(T) SERIES

Built-In VFD Multi-stage Horizontal Pump

Max. Flow (Q) : 29m³/h
Max. Head (H) : 68m
Motor Power : 0.55~5.5kW (0.75~7.5HP)



SQ-DHM SERIES

Built-In VFD Horizontal Unistage Pump

Max. Flow (Q) : 18m³/h
Max. Head (H) : 29m
Motor Power : 0.75~1.1kW (1~1.5HP)



NSQP-DHF(T) SERIES

Built-In VFD Horizontal Booster Pump System

Max. Flow (Q) : 58m³/h
Max. Head (H) : 68m
Motor Power : 0.55~5.5kW (0.75~7.5HP)



NDS SERIES

Submersible Drainage and Sewage Pump

Max. Flow (Q) : 31m³/h
Max. Head (H) : 20.7m
Motor Power : 0.4~1.5kW (0.5~2HP)



NSQ-XR(L) SERIES

Built-In Inverter Multi-stage Vertical Pump

Max. Flow (Q) : 130m³/h
Max. Head (H) : 245m
Motor Power : 0.75~22kW (1~30HP)



NSQ-DP SERIES

Built-In VFD In-line Circulation Pump

Max. Flow (Q) : 480m³/h
Max. Head (H) : 83m
Motor Power : 0.75~22kW
(1~30HP)



DP SERIES

In-Line Circulation Pump

Max. Flow (Q) : 750m³/h
Max. Head (H) : 85m
Motor Power : 1.1~132kW
(1.5~180HP)





GLOBAL BUSINESS CENTER

2F~4F 162 LS-ro, Gunpo-si, Gyeonggi-do, Korea
TEL: +82-31-831-1243
FAX: +82-31-831-1250

FACTORY

(Sagok-Ri 295) 332 Hwagok-ro, Jangan-myeon, Hwaseong-si, Gyeonggi-do, Korea
TEL: +82-31-831-1242
FAX: +82-31-831-1250

SHANGHAI DOOCH

No. B3-6 Liantang road, Liantan industrial town, Qingpu, Shanghai, China
TEL: +86-21-6767-9390
FAX: +86-21-6767-9396

www.doochpump.com